



TPI CORPORATION

America's Comfort Conditioning Company



2023 ELECTRICAL PRODUCTS CATALOG

Ventilation - Fans - Industrial Lighting

 www.linkedin.com/company/tpi-corporation/

 www.facebook.com/tpicorporation

 www.youtube.com/user/tpicorporation

 www.instagram.com/tpi_corporation/

TEL: 1-800-682-3398 | 1-423-477-4131 | FAX: 1-423-477-0064 | www.tpicorp.com

LIGHTS

FANS

Table Of Contents & Limited Warranty

CATEGORY	PAGE
INDUSTRIAL CIRCULATORS	
24" & 30" Assembled Maximum Duty	2
20" to 36" Assembled Circulator Heads & Mounts	3
20" 24" & 30" Unassembled Circulators	4
20" 24" & 30" Specialty Circulator Heads	5
Components - Motor Comparisons	6
Air Circulators - Motor Comparisons	7
COMMERCIAL CIRCULATORS	
20", 24" & 30" Commercial Non-Osc. Circulators	8
20", 24" & 30" Commercial Oscillating Circulators	8
COMMERCIAL BLOWERS	
36" 42" & 48" Belt Drive Portable	9
24" 30" & 36" Direct Drive Portable	9
INDUSTRIAL BLOWERS	
30" 36" & 42" Direct Drive Portable	10
48" Direct Drive Portable	10
36" 42" & 48" Belt Drive Portable	11
30" 36" & 42" Direct Drive Suspension	12
36" 42" & 48" Belt Drive Suspension	12
24" & 30" Mini	13
Heavy Duty Square Belt Drive Portable	13
High Velocity	14-15
Heavy Duty Direct Drive	16
Heavy Duty Permanent Mount Direct Drive	17
WORKSTATION FANS	
Industrial Floor	18
Industrial Mounted	19
Outdoor Rated Yoke Mount	19
Commercial Floor	20
Oscillating Office	20
Wall Mounted With Pivoting Arm	21
Low Velocity "Special Application"	21

CATEGORY	PAGE
CEILING FANS	
Industrial Ceiling Fans	22
EXHAUST FANS & GUARDS	
Shutter Mounted Direct Drive	23
Guard Mounted Direct Drive	24
Venturi Mounted Direct Drive	25
Commercial Belt Drive - (Fans & Shutters)	26
Industrial Direct Drive	27
Industrial Belt Drive	28
Heavy Duty Direct Drive	29
Heavy Duty Belt Drive	30
Cabinet Exhaust Fans With Shutters	31
Accessories / Heavy Duty Shutters	32
Cabinet Accessories / Guards	33
Cabinet Exhaust Fan Package Options	34
Weather Hood	34
ROOF VENTILATORS	
Insulated Roof Curbs	35
Belt Drive Hooded Roof Ventilator	36
Direct Drive Roof Ventilator	37
Belt Drive Roof Ventilator	38
TUBEAXIAL DUCT FAN	
Direct Drive & Guards	39
Belt Drive	40
ATTIC FANS	
Roof Domes, Gable Fans, Attic Fans	41
INDUSTRIAL LIGHT PRODUCTS	
Loading Dock Lights	42
Modular Loading Dock Lights	43
Machine Tool Lights	44
Commercial Utility Lights	44
PRODUCT INDEX	

TPI Corporation provides a limited warranty of materials and workmanship for a period of (i) ten (10) years for elements in 2900 Series baseboard heaters, (ii) two (2) years for Thermostats and Controls, (iii) five (5) years on HD and HDH series fans, (iv) three (3) years on UHP and IHP series fans, (v) and twelve (12) months for all other products, with the warranty period commencing on the original date of purchase. The TPI warranty is limited to materials manufactured and work performed by TPI Corporation, and does not include damage or failure caused by acts of God, abuse, misuse, connected to or placed on other than rated voltage, abnormal usage, faulty installation, failure to follow suggested maintenance procedures enclosed with the product, improper maintenance or any repairs other than those provided by an authorized TPI Corporation service center. For the name of your nearest authorized TPI Corporation service center, please write to TPI Corporation, P.O. Box 4973, Johnson City, Tennessee, 37602 or call 1-800-682-3398.

During the warranty period, TPI Corporation will, at its sole option, repair or replace any defective parts or products returned, freight prepaid, to the TPI Corporation factory or such other location as TPI Corporation may designate. No parts or products will be accepted for repair or replacement without prior authorization from TPI Corporation and a return merchandise authority (RMA) number issued by TPI Corporation. Returned products must be packaged carefully and TPI Corporation shall not be responsible for damage in transit. When returning parts, the owner must provide the model number of the product and nature of difficulty being experienced.

This warranty does not obligate TPI Corporation to bear the cost of labor in replacing any assembly, unit or component part thereof, nor does TPI Corporation assume any liability for secondary charges, expenses for installing or removal, freight or damages. There will be charges rendered for product repairs made after the warranty period has expired. Proof of purchase, including date, must accompany request for in-warranty service. This warranty gives you specific legal rights and you may have other rights, which may vary, from state to state.

Except for the limited warranty provided in the foregoing paragraph, all parts and products sold by TPI Corporation are sold 'as is', 'where is', and without any other warranty of any kind or nature, whether express, implied, or statutory and including, without limitation, any implied warranty of specific performance or merchantability.

Under no circumstances, even with respect to claims covered by the foregoing warranty, will TPI Corporation be responsible for any incidental, consequential, special, or punitive damages of any kind or nature arising from or related to the parts or products sold by TPI Corporation.

In any event, TPI Corporation's maximum liability shall not in any case exceed the purchase price for the part or product claimed to be defective.

You hereby expressly agree to waive any and all rights to a trial by jury with respect to any product manufactured or supplied by TPI Corporation.

Ventilation Products Warranty Coverage	
Series HD or HDH fans	5 Years
Series UHP or IHP fans	3 Years
All other ventilation products	1 Year

RETURN POLICY:

Requests for returns of non-defective standard stock units may incur testing and repackaging charges if units are not in like new condition. Requests for returns of build to order items are subject to cancellation charges prior to shipment and up to a 100% restocking charge after shipment. This also applies to any standard model with factory installed control options or other custom features. Changes made to custom products during production may incur labor charges. Please consult factory for details on any return or change order

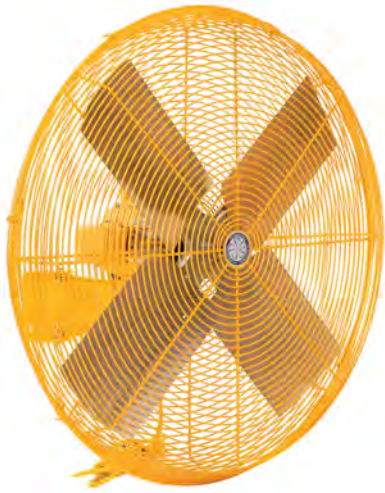
TPI COMMERCIAL CIRCULATORS STATEMENT:

TPI Commercial circulators have been developed to equal the imported circulators that are sold by big-box retail stores and some catalogers. Because these circulators do not have totally enclosed motors, they should be used in clean, dry commercial applications - such as schools, shops, offices, and warehouses.
 Note: Prices subject to change without notice.

TPI Industrial Assembled Maximum Duty Circulators

Features

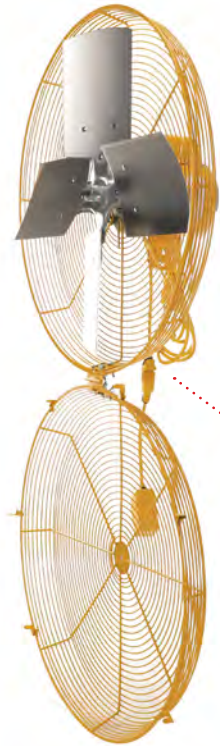
- Steel construction with safety yellow textured epoxy powder coated finish
- Direct drive, Totally Enclosed Air-Over (TEAO) motor generating up to 8,000-CFM's
- Aluminum 4-paddle blade system with steel hub and cast aluminum spider connections
- HDH-Series contains a pull-chain switch and 12' long SJT-Type cord with grounded plug
- HDH-JR Series contains a 12' long SJT-Type cord with grounded plug and 18" long drop-down cord assembled with an electrical (off, on low/high) switch enclosure
- Fully-Assembled Non-Oscillating fan heads in 24" or 30" diameter sizes
- 5-year motor warranty
- Made in the U.S.A. with domestic and foreign components



HDH Series

Motor Specifications

- 2-speed / 1-phase, 120V
- Permanent split capacitor
- Frame size: 48
- 1/2 HP
- Ball bearing
- Totally enclosed, permanently lubricated
- 1/2" Shaft



Hinged Guard



HDH-JR Series



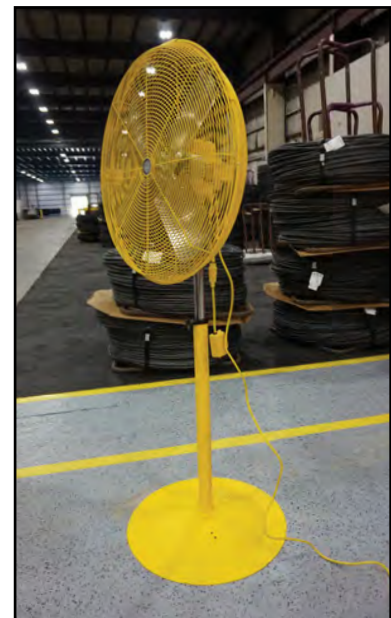
Drop-Down Switch



Wall Mount
see pg. 6



DIMENSIONS	
24"	27" Diameter x 14.5" Depth
30"	33.5" Diameter x 14.5" Depth



Pedestal Mount, see pg. 6

WARNING: This product can expose you to chemicals including nickel which is known to the State of California to cause cancer, and chromium, which is known to the State of California to cause birth defects and/or reproductive harm. For more information go to www.P65Warnings.ca.gov.

Standard Models

ASSEMBLED FAN HEAD		BLADE SIZE	SWITCH TYPE	HP	CFM* / RPM		VELOCITY PROFILE	AMPS	WT. (LBS)	LIST
MFG CATALOG NUMBER	MFG MODEL NUMBER				CFM / Area Sq Ft					
08744402	HDH 24-JR	24"	Drop Down	1/2	5600 / 1100	4900 / 800	7500 / 260	3.5	44	980
08744602	HDH 30-JR	30"			6800 / 1100	6000 / 800	8000 / 270	4	48	1008
07960702	HDH 24	24"	Pull Chain		5600 / 1100	4900 / 800	7500 / 260	3.5	44	898
07960802	HDH 30	30"			6800 / 1100	6000 / 800	8000 / 270	4	48	919

*Measured 2 feet from face of fan

TPI offers six factory assembled and tested fan mounts that can be used with any of the non-oscillating TPI Industrial heads.

TPI Industrial Assembled Circulator Heads and Mounts

Features

- Steel construction with silver/gray powder coated; steel motor housing painted black
- Direct drive, totally enclosed air-over (TEAO) motor generating up to 12,000-CFM's
- Aluminum 3-paddle blade system with steel hub and cast aluminum spider connections
- All models contain a pull-chain switch and 12' long SJT-Type cord with grounded plug
- All models, except **HDH-36**, contain self-locking retaining clips to secure front/rear grills and meet OSHA safety requirements
- **HDH-36 model is preassembled and ships altogether in one carton; operates at single speed, contains interlocking front/rear grills and includes mounting bracket**
- HDH-GJR Series contains a 12' long SJT-Type cord with grounded plug and 18" long drop down cord assembled with an electrical (off, on low/high) switch enclosure
- Fully-assembled ready for plug-&-play operation offered in non-oscillating (stationary) and oscillating fan heads in 20", 24" or 30" diameter sizes; mounts sold separately
- Oscillating models rotates in a 90° arc or can be locked in a fixed position
- Metal gears in the oscillating model allow the fan to operate at a maximum 30° downward tilt
- Motor warranty ranges from 1, 3 and 5-years
- Made in the U.S.A. with domestic and foreign components

Motor Specifications

- 3-Speed
- 1 Phase, 120V
- Ball bearing
- Frame size: 48
- Totally enclosed
- Permanent split capacitor
- Permanently lubricated
- 1/2" Shaft

DIMENSIONS	
20"	22" Diameter x 14.5" Depth
24"	27" Diameter x 14.5" Depth
30"	33.5" Diameter x 14.5" Depth



WARNING: This product can expose you to chemicals including nickel which is known to the State of California to cause cancer, and chromium, which is known to the State of California to cause birth defects and/or reproductive harm. For more information go to www.P65Warnings.ca.gov.



ACM-IHP-HDH Series



HDH-G-JR Series
Drop-Down Plug and Hinged Guard



ACH-O Series
Oscillating Motor

Standard Models

H.P.	BLADE SIZE	MFG MODEL NUMBER	MFG CATALOG NUMBER	FAN HEAD TYPE	CFM*	VELOCITY PROFILE	RPM	AMPS	WT. (LBS)	LIST
						CFM / Area Sq Ft				
1 Year Warranty										
Industrial 1/4	20"	ACH 20	08684702	STATIONARY	3000 / 2600	5000 / 200	1100 / 900	2.4	39	459
	24"	ACH 24	07961602		3800 / 3400	6000 / 240	1100 / 800	2.5	40	516
	30"	ACH 30	07961702		4300 / 3800	7200 / 250	1100 / 800	2.7	44	532
3 Year Warranty										
High Performance 1/3	24"	IHP 24-H	07989802	STATIONARY	4300 / 3900	6000 / 240	1100 / 800	2.8	40	657
	30"	IHP 30-H	07989902		5400 / 4700	7200 / 250	1100 / 800	3	44	687
5 Year Warranty										
Heavy Duty 1/2	24"	HDH 24-G	08539202	STATIONARY	5600 / 4900	7500 / 260	1100 / 800	3.5	44	861
	30"	HDH 30-G	08528602		6800 / 6000	8000 / 270	1100 / 800	4	48	889
	24"	HDH 24-GJR	08745002		5600 / 4900	7500 / 260	1100 / 800	3.5	44	980
	30"	HDH 30-GJR	08745102		6800 / 6000	8000 / 270	1100 / 800	4	48	1008
	36"	HDH 36	08197802		6970	12000 / 325	1100	5.2	90	970
1 Year Warranty										
Industrial Oscillating 1/4	20"	ACH 20-O	08684802	OSCILLATING	3000 / 2600 / 2100	5000 / 200	1100 / 900 / 750	2.4	43	695
	24"	ACH 24-O	07963602		3800 / 3400 / 2700	6000 / 240	1100 / 900 / 750	2.5	44	792
	30"	ACH 30-O	07963702		4300 / 3800 / 3000	7200 / 250	1100 / 900 / 750	2.7	48	821

*Measured 2 feet from face of fan

HDH-36 Note: Wall mount only, mount included, unit imported to TPI specifications.

TPI offers six factory assembled and tested fan mounts that can be used with any of the non-oscillating TPI Industrial heads.

TPI Industrial Unassembled Circulators

Features

- Unassembled packaged kits, include: motor, blade, guards & mount (pedestal or wall)
- Steel construction with silver/gray powder coated; steel motor housing painted black
- Direct drive, Totally Enclosed Air-Over (TEAO) motor generating up to 7,200-CFM's
- Aluminum 3-paddle blade system with steel hub and cast aluminum spider connections
- All models contain a pull-chain switch and 12' long SJT-Type cord with grounded plug
- All models contain self-locking retaining clips to secure front/rear grills and meet OSHA safety requirements
- Offered in Non-Oscillating (Stationary) and Oscillating fan heads in 20", 24" or 30" diameter sizes
- Oscillating models rotates in a 90° arc or can be locked in a fixed position
- Metal gears in the oscillating model allow the fan to operate at a maximum 30° downward tilt
- Pedestal pole adjusts the center of fan from 48" to 67" tall; bolts to 27" diameter steel dome with 5-bolts
- Motor warranty from 1 or 3-years
- Made in the U.S.A. with domestic and foreign components

DIMENSIONS	
20"	22" Diameter x 14.5" Depth
24"	27" Diameter x 14.5" Depth
30"	33.5" Diameter x 14.5" Depth

WARNING: This product can expose you to chemicals including nickel which is known to the State of California to cause cancer, and chromium, which is known to the State of California to cause birth defects and/or reproductive harm. For more information go to www.P65Warnings.ca.gov.

Motor Specifications

- 2-speed
- 1-Phase, 120V
- Ball bearing
- Frame size: 48
- Totally enclosed
- Permanent split capacitor
- Permanently lubricated
- ½" Shaft



ACU-WO Series

Oscillating Fan Head with Wall Mount



UHP-P Series



Standard Models

FAN TYPE		MAXIMUM DUTY	MAX AMPS	HIGH PERFORMANCE	MAX AMPS	INDUSTRIAL	MAX AMPS	OSCILLATING	MAX AMPS
MOTOR	HP	1/3		1/3		1/4		1/4	
CFM Velocity Profile / Area Sq. Ft.	20"	---	---	---	---	5000 / 200	2.4	5000 / 200	2.4
	24"	6000 / 240	2.8	6000 / 240	2.8	6000 / 240	2.5	6000 / 240	2.5
	30"	7200 / 250	3.0	7200 / 250	3.0	7200 / 250	2.7	7200 / 250	2.7
WARRANTY		3 YEARS		3 YEARS		1 YEAR		1 YEAR	

SIZE	TYPE of MOUNT	MFG CATALOG NUMBER	MFG MODEL NUMBER	LIST	MFG CATALOG NUMBER	MFG MODEL NUMBER	WT. (LBS)	LIST	MFG CATALOG NUMBER	MFG MODEL NUMBER	WT. (LBS)	LIST	MFG CATALOG NUMBER	MFG MODEL NUMBER	WT. (LBS)	LIST
20"	Pedestal Mount	---	---	---	---	---	---	---	08681402	ACU 20-P	72	640	08681602	ACU 20-PO	76	676
	Wall Mount	---	---	---	---	---	---	---	08681502	ACU 20-W	42	521	08681702	ACU 20-WO	46	543
24"	Pedestal Mount	08745202	UHP 24-PJR	1066	07990002	UHP 24-P	75	889	07962302	ACU 24-P	75	662	07964002	ACU 24-PO	79	1004
	Wall Mount	08745402	UHP 24-WJR	899	07990202	UHP 24-W	45	726	07962402	ACU 24-W	45	552	07964102	ACU 24-WO	49	840
30"	Pedestal Mount	08745302	UHP 30-PJR	1090	07990102	UHP 30-P	73	919	07962802	ACU 30-P	73	681	07964202	ACU 30-PO	82	1026
	Wall Mount	08745502	UHP 30-WJR	929	07990602	UHP 30-W	48	752	07962902	ACU 30-W	48	572	07964302	ACU 30-WO	52	861

TPI Industrial Specialty Circulator Heads

Features

- No cord-junction box provided for hard wiring
- Steel hub/spider aluminum paddle blades
- Coated steel guards
- Meets OSHA standards
- 1 year limited warranty
- Made in U.S.A. with domestic and foreign components

Motor Specifications

- All 1 Speed (except 277V which is 2 Speed)
- Totally enclosed, permanently lubricated
- Ball bearing



*Listing applies to 277V models only



IHP-H-WD Series



ACH-EX SERIES

IHP-H-277 Series



WARNING: This product can expose you to chemicals including nickel which is known to the State of California to cause cancer, and chromium, which is known to the State of California to cause birth defects and/or reproductive harm. For more information go to www.P65Warnings.ca.gov.

Standard Models

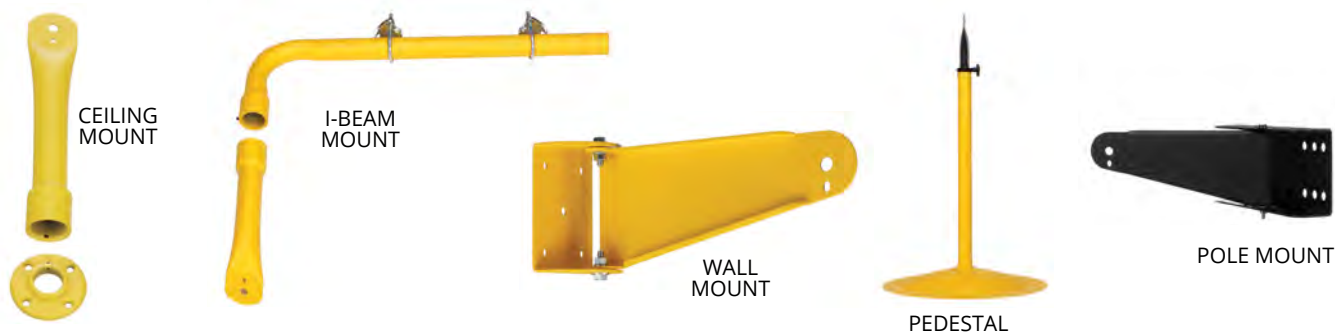
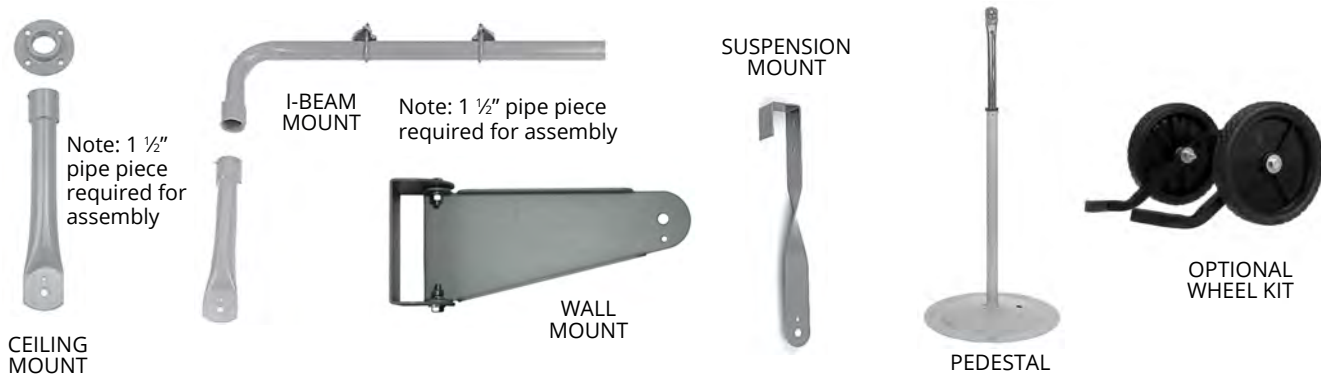
GENERAL DESCRIPTION	MFG MODEL NUMBER	MFG CATALOG NUMBER	SIZE	CFM*		VELOCITY PROFILE CFM / Area Sq Ft	MOTOR			AMPS (HIGH)					WT. (LBS)	LIST
				HIGH	LOW		HP	RPM	VOLTS	120v 1 ph	240v 1 ph	277v 1 ph	240v 3 ph	480v 3 ph		
Hazardous Location Class I Group D Class II Group F & G Unassembled Head	ACH 24-EX1	08551902	24"	4300		6000 / 240	1/4	1725	115/208 or 1-phase	5	2.6	----	----	----	66	1593
	ACH 30-EX1	08552002	30"	5400		7200 / 250									69	1727
	ACH 24-EX3	08552102	24"	4300		6000 / 240			208-230/460 or 3-phase	----	----	----	1.4	0.7	66	1699
	ACH 30-EX3	08552202	30"	5400		7200 / 250									69	1859
240V / 480V 3-Phase Unassembled Head	ACH 24-TE3	08552302	24"	4300		6000 / 240	1/2	1075	208-230/460 or 3-phase	----	----	----	2.2	1.1	45	1099
	ACH 30-TE3	08552402	30"	5400		7200 / 250									48	1124
277 Volt Assembled Head	IHP 24-H-277	08541302	24"	4300	3900	6000 / 240	1/3	1125	277 1-phase	----	----	1	----	----	40	772
	IHP 30-H-277	08542202	30"	5400	4700	7200 / 250									44	821
Wash down rated 120V / 240V 1-Phase Assembled Head	IHP 20-H-WD	08721902	20"	3200		5200 / 220	1/3	1725	120 or 240 1-phase	4.5	2.2	----	----	----	46	1467
	IHP 24-H-WD	08541802	24"	4300		6000 / 240									48	1522
	IHP 30-H-WD	08541902	30"	5400		7200 / 250									52	1573

*Measured 2 feet from face of fan

Note: Wash down rated fan heads have heavy zinc coated guards - Use FDA white coated mounts shown on page 7 for food service applications

TPI Industrial Circulator Components

Standard Models



Product Specifications

- Pedestal pole adjusts the center of fan from 48" to 67" and bolts to 27" diameter steel dome base with 5 bolts
- I-beam mount & ceiling mount require 1 1/2" or longer pipe nipple for assembly (not supplied)
- Pole mount attaches to 4", 6", or 8" with U-bolts (not supplied)
- Wheel kit and pole mount have an all black textured powder coated finish

TYPE	MFG CATALOG NUMBER	MFG MODEL NUMBER	LIST
YELLOW MOUNTS			
PEDESTAL POLE & BASE	07960902	HDM-P	300
WALL MOUNT	07961002	HDM-W	120
I-BEAM MOUNT	07961102	HDM-I	228
CEILING MOUNT	07961202	HDM-C	130
GRAY MOUNTS			
PEDESTAL POLE & BASE	07961802	ACM-P	283
WALL MOUNT	07961902	ACM-W	109
I-BEAM MOUNT	07962002	ACM-I	214
CEILING MOUNT	07962102	ACM-C	141
SUSPENSION MOUNT	07962202	ACM-S	97
POLE MOUNT	08681802	ACM-PM	156
WHEEL KIT	08681302	ACM-WK	132
FDA WHITE MOUNTS FOR USE WITH WASHDOWN FAN HEADS IN FOOD SERVICE APPLICATIONS			
PEDESTAL POLE & BASE	08682502	WACM-P	279
WALL MOUNT	08682602	WACM-W	109

What to know when ordering TPI Air Circulators:

1) What is the operating voltage and phase?

- a. 120V (most common)
- b. 120V or 240V
- c. 277V
- d. 240 or 480V (offered in 3-phase)

2) How will you be mounting or operating this unit?

- a. Wall / Vertical Surface (Most Common)
- b. Floor – Pedestal Mount
- c. Pole Mount
- d. Ceiling
- e. Suspension Mount
- f. I-Beam Mount

3. What environment will this unit be operating in?

- a. Industrial – see TPI Series: HDH, IHP or ACH's
 - i. Dirty, dusty jobsites or harsh industrial environment
 - ii. Wet, high moisture, or wash down rated environment
 - iii. Hazardous Location – Class I Group D, Class II Groups F & G
- b. Commercial – see TPI Series; CACU's
 - i. Clean areas or non-dusty environment

4. Will you need the fan head to rotate?

- a. Oscillating
- b. Non-Oscillating Fan Heads

5. Do you want to order assembled fan heads?

- a. Assembled Fan Head
- b. Unassembled Fan Head (ACU, UHP & CACU Series)

6. Do you have a color preference?

- a. Safety Yellow – HDH Series
- b. Industrial Textured Gray Finish (Most popular)
- c. Black Semi-Gloss Powder Coated Finish (CACU-Series)

Air Circulators - Motor Comparisons

Commercial Motors - Open Vent Motors





**Open
Ventilated
Motor**

*Ideal for schools and office areas -
clean and non-dusty environments*




- Offered in 1/4 HP & 1/3 HP
- Good output
- Open ventilated (air goes through the motor)
- Oscillating and Non-Oscillating
- Unassembled fan heads only
- 1-year limited warranty
- Ideal for Commercial Applications
 - offered in 120V models

Industrial Motors -Totally Enclosed Motors (TEAO)





**DESIGNED, ENGINEERED,
TESTED, ASSEMBLED
PROUDLY
IN THE
USA**

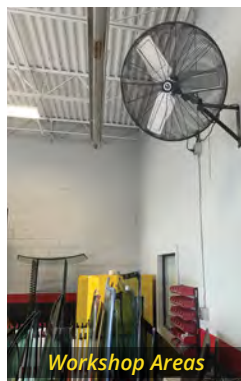
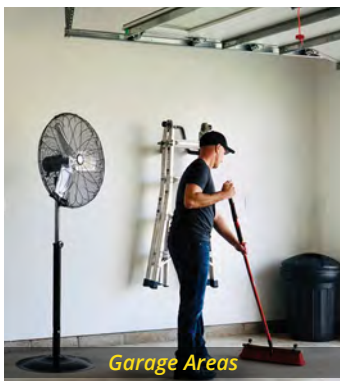



**Totally
Enclosed
Motor**

Ideal for dirty and harsh
industrial applications.

Specific models rated
for even washdown and
hazardous environments.

- Offered in 1/4 HP, 1/3 HP & 1/2 HP
- Higher quality and high CFP output
- Totally Enclosed Air Over (TEAO)
- Oscillating and Non-Oscillating
- Fully assembled fan heads
- No tools required to open grill assembly (retainer clips)
- 3-year warranty on 1/3 HP motors (5-year on 1/2 HP)
- Ideal for Commercial Applications
 - offered in 120, 240, 277 & 480V models
 - washdown and Hazardous Location Rated models



Commercial Fan Applications



Industrial Fan Applications

TPI Commercial Circulators



These circulators should be used in clean and dry commercial applications - such as schools, shops, offices or warehouses.

Commercial Circulator

Motor, blades, guards, and mount are packed and shipped in a single UPS-able carton.



PEDESTAL MOUNT



WALL MOUNT



WARNING: This product can expose you to chemicals including nickel which is known to the State of California to cause cancer, and chromium, which is known to the State of California to cause birth defects and/or reproductive harm. For more information go to www.P65Warnings.ca.gov.

Features

- Black semi-gloss powder coated finish
- Pull chain switch
- SJT type 3 conductor, 9' long cord
- Coated steel guards with retaining clips
- Steel hub/spider aluminum paddle blades
- Pole adjusts center of fan from 43" to 60"
- Meets OSHA standards / 1-Year limited warranty
- Imported to TPI specifications

Motor Specifications

- 1-Phase
- 1/4 HP, 1/3 HP on HD Models
- Ball bearing
- Open ventilated
- 120V
- 3-Speed
- Permanently lubricated
- Permanent split capacitor

Standard Non-Oscillating Models

MFG CATALOG NUMBER	MFG MODEL NUMBER	SIZE	HP	TYPE	MOUNT TYPE	CFM*			VELOCITY PROFILE	AMPS (HIGH)	WT. (LBS)	LIST
						HIGH	MED	LOW	CFM / Area Sq Ft			
08778002	CACU 20-P	20"	1/10	Non - Oscillating	Pedestal Mount	1780	1600	1420	3300 / 125	1.4	52	382
08778102	CACU 20-W				Wall Mount						48	344
08706202	CACU 24-P	24"	1/4		Pedestal Mount	3400	3100	2800	5400 / 220	2.3	63	563
08706402	CACU 24-W				Wall Mount						43	481
08697402	CACU 30-P	30"	1/4		Pedestal Mount	4200	3800	3500	6700 / 240	2.4	66	620
08706302	CACU 30-W				Wall Mount						46	497
08761702	CACU 30-P-HD	30"	1/3		Pedestal Mount	5000	4600	4200	7000 / 250	3.60	56	722

*Measured 2 feet from face of fan

Note: Stocked models may differ in appearance from photograph

TPI Commercial Oscillating Fans

Standard Oscillating Models



WALL MOUNT

MFG CATALOG NUMBER	MFG MODEL NUMBER	SIZE	HP	TYPE	MOUNT TYPE	CFM*			VELOCITY PROFILE	AMPS			WT. (LBS)	LIST
						HIGH	MED	LOW	CFM / Area Sq Ft	HIGH	MED	LOW		
08748902	CACU 24-PO	24"	1/4	Oscillating	Pedestal Mount	3200	3000	2800	5100 / 230	1.45	1.15	1.1	68	663
08749102	CACU 24-WO				Wall Mount								48	568
08749002	CACU 30-PO	30"	1/4		Pedestal Mount	4200	3800	3500	6700 / 250	2.0	1.8	1.6	70	697
08749202	CACU 30-WO				Wall Mount								51	617
08761802	CACU 30-PO-HD	30"	1/3	Pedestal Mount	5000	4600	4200	7000 / 250	3.60	3.02	2.94	64	893	

Notes:

*Measured 2 feet from face of fan

Stocked models may differ in appearance from photograph - sizes are nominal Units imported to TPI specifications.

WARNING: This product can expose you to chemicals including nickel which is known to the State of California to cause cancer, and chromium, which is known to the State of California to cause birth defects and/or reproductive harm. For more information go to www.P65Warnings.ca.gov.



36", 42", & 48" TPI Commercial Belt Drive Portable Blowers



WARNING: This product can expose you to chemicals including nickel which is known to the State of California to cause cancer, and chromium, which is known to the State of California to cause birth defects and/or reproductive harm. For more information go to www.P65Warnings.ca.gov.



Features

- Rotary switch
- SJT type cord - 3 conductor - 8' long
- Aluminum 4-paddle blade
- Spiral wire front and rear guards
- Black powder coated 20 gauge steel housing
- Stationary non-swivel housing
- 5" rubber wheels
- Meets OSHA standards / 1 Year limited warranty
- Imported to TPI specifications

Motor Specification

- 2-Speed
- 120V
- Ball bearing
- 1-Phase
- ODP type
- Permanently lubricated

Standard Models

MFG CATALOG NUMBER	MFG MODEL NUMBER	MOTOR HP	CFM*		VELOCITY PROFILE	MAX AMPS	WT. (LBS)	LIST
			HIGH	LOW	CFM / Area Sq Ft			
08734702	CPB 36-B	1/3	5,400	4,600	8600 / 300	4.8	82	878
08706602	CPB 42-B	1/2	7,600	6,700	12000 / 320	6.5	93	1049

*Measured 2 feet from face of fan

Note: Photograph is a representation of stocked models. Actual model may vary in appearance

24", 30", & 36" TPI Commercial Direct Drive Portable Blowers



CPB 36-D



CPBS 30-D

Features

- Rotary or rocker switch
- SJT type cord - 3 conductor
- Spiral wire front and rear guards
- Black powder coated 20 gauge steel housing
- 5" rubber wheels
- Meets OSHA standards
- 1 Year limited warranty
- Imported to TPI specifications

Motor Specification

- 2-Speed
- 120 Volt
- Ball bearing
- 1-Phase
- Open ventilated
- Permanently lubricated

Standard Models

MFG CATALOG NUMBER	MFG MODEL NUMBER	BASE TYPE	MOTOR HP	CFM*		VELOCITY PROFILE	MAX AMPS	CORD LENGTH	SWITCH	BLADES	WT. (LBS)	LIST
				HIGH	LOW	CFM / Area Sq Ft						
08753502	CPB 30-D	Floor	1/5	4,400	3,800	6700 / 250	3.6	6'	Rocker	Aluminum	52	537
08710302	CPBS 30-D	Swivel	1/5	4,400	3,800	6700 / 250	3.6	6'	Rocker	Aluminum	60	579
08722602	CPB 36-D	Floor	1/3	5,400	4,600	8500 / 300	3.6	10'	Rotary	Steel	70	701
08770102	CPBS 24-DHV	Swivel	1/6	3,400	2,900	5400 / 240	2.4	9'	Rotary	Aluminum	38	329

*Measured 2 feet from face of fan

Note: Photograph is a representation of stocked models. Actual model may vary slightly in appearance

30", 36", & 42" TPI Industrial Direct Drive Portable Blowers



STANDARD MODEL



SWIVEL MODEL



WARNING: This product can expose you to chemicals including nickel which is known to the State of California to cause cancer, and chromium, which is known to the State of California to cause birth defects and/or reproductive harm. For more information go to www.P65Warnings.ca.gov.

Features

- Comes in sizes 30", 36", & 42"
- Rocker switch
- SJT type 3 conductor, 12' long cord
- Aluminum, 3 paddle blade
- Spiral, wire front and rear guards
- Corrosion and dent proof high density polyethylene housing
- 36" & 42" swivel model rotates 112.5° in 22 1/2° increments and locks in place with a steel locking pin
- Meets OSHA standards
- 1 Year limited warranty
- Made in U.S.A.

Motor Specifications

- 120V, 1-Phase
- 36"-1/3HP 42"-1/2HP
- Ball bearing
- Permanent split capacitor
- 2-Speed on 30" model
- 1-Speed on 42" model
- Permanently lubricated
- Totally enclosed

Standard Models

MFG CATALOG NUMBER	MFG MODEL NUMBER	FAN		WHEEL SIZE	MOTOR HP	CFM* / RPM		VELOCITY PROFILE	AMPS (HIGH)	WT. (LBS.)	LIST
		SIZE	TYPE			HIGH	LOW	CFM / Area Sq Ft			
08211002	PBX 30-D	30"	STANDARD	8"	1/4	4400 / 1100	3800 / 950	7200 / 250	2.7	65	980
08213602	PBXS 30-D	30"	SWIVEL	10"		70	1311				
08211102	PBX 36-D	36"	STANDARD	8"	1/3	6500 / 1040	5400 / 950	11500 / 320	5.5	82	1140
08213702	PBXS 36-D	36"	SWIVEL	10"						110	1596
08211202	PBX 42-D	42"	STANDARD	10"	1/2	9,000 / 825		15000 / 340	7.9	102	1345
08213802	PBXS 42-D	42"	SWIVEL	10"						128	1733

*Measured 2 feet from face of fan

Note: Photograph is a representation of stocked models. Actual model may vary slightly in appearance

48" TPI Industrial Direct Drive Portable Blowers



SWIVEL MODEL



WARNING: This product can expose you to chemicals including nickel which is known to the State of California to cause cancer, and chromium, which is known to the State of California to cause birth defects and/or reproductive harm. For more information go to www.P65Warnings.ca.gov.

Features

- Corrosion and dent proof high density polyethylene housing
- Rocker switch
- SJT type 3 conductor, 12' long cord
- Steel, 2 paddle blade
- Spiral, wire front and rear guards
- 10" wheels
- Swivel model rotates 112.5° in 22 1/2° increments and locks in place with a steel locking pin
- Meets OSHA standards
- 1 Year limited warranty
- Made in U.S.A.

Motor Specifications

- 1-Phase
- 3/4 HP
- Ball bearing
- Permanent split capacitor
- 120V
- 1-Speed
- Permanently lubricated
- Totally enclosed

Features

MFG CATALOG NUMBER	MFG MODEL NUMBER	SIZE	FAN TYPE	MOTOR HP	CFM* / RPM	VELOCITY PROFILE	AMPS (HIGH)	DIMENSIONS			WT. (LBS.)	LIST
						CFM / Area Sq Ft		"H"	"D"	"W"		
07997802	PB 48-D-OP	48"	STANDARD	3/4	11,800 / 825	14000 / 360	10.5	58.5	29	55.5	117	2265
07998002	PBS 48-D-OP	48"	SWIVEL	3/4	11,800 / 825	14000 / 360	10.5	----	----	----	142	2586

*Measured 2 feet from face of fan

Note: Photograph is a representation of stocked models. Actual model may vary slightly in appearance

36", 42", & 48" TPI Industrial Belt Drive Portable Blowers

Features



STANDARD MODEL



CORD WRAP INCLUDED WITH STANDARD MODEL

⚠️ WARNING: This product can expose you to chemicals including nickel which is known to the State of California to cause cancer, and chromium, which is known to the State of California to cause birth defects and/or reproductive harm. For more information go to www.P65Warnings.ca.gov.



SWIVEL MODEL



- Comes in sizes 36", 42", and 48"
- Rocker switch on 120V, Single Phase models
- SJT type 3 conductor, 12' long cord on 120V, Single Phase models / no cord on dual voltage models
- 4 paddle blade: 36" PBX / PBSX & HL have aluminum blade; 42" & 48" PBX / PBSX have steel blade
- Spiral, wire front and rear guards
- Corrosion and dent proof high density polyethylene housing
- 8" wheels (36" model), 10" wheels (42" & 48" models)
- Swivel model rotates 112.5° in 22.5° increments and locks in place with a steel locking pin
- External junction boxes on dual voltage models allow units to be wired for either voltage without removing guards
- Hazardous location models have explosion proof motors, metal housings, and external junction boxes rated for Class I, Group D and Class II, Groups E, F, & G
- Meets OSHA standards
- 1 year limited warranty
- Made in U.S.A.

Motor Specifications

- 1-Speed
- Ball bearing
- Permanently lubricated

Standard Models

MOTOR LISTING	SIZE	MOTOR				CFM**	VELOCITY PROFILE	STANDARD MODEL				SWIVEL MODEL			
		TYPE	HP	RPM	AMPS		CFM / Area Sq Ft	MFG CATALOG NUMBER	MFG MODEL NUMBER	WT. (LBS)	LIST	MFG CATALOG NUMBER	MFG MODEL NUMBER	WT. (LBS)	LIST
	36"	120 V 1 PH ODP	1/2	500	8.0	6,900	14000 / 360	08211402	PBX 36-B	120	1391	08213302	PBXS 36-B	145	1824
	42"		3/4	430	11.0	10,600	17500 / 420	08211502	PBX 42-B	135	1710	08213402	PBXS 42-B	160	2075
	48"		1	390	15.0	14,400	23500 / 550	08211602	PBX 48-B	155	1801	08213502	PBXS 48-B	180	2189
	36"	240/480 V 3 PH ODP	1/2	500	2.3 / 1.1	6,900	14000 / 360	08508602	PB 36-B-3	127	2237	08509202	PBS 36-B-3	152	2637
	42"		3/4	430	3.3 / 1.5	10,600	17500 / 420	08508702	PB 42-B-3	143	2509	08509302	PBS 42-B-3	168	3128
	48"		1	390	3.8 / 1.9	14,400	23500 / 550	08508802	PB 48-B-3	164	2855	08509402	PBS 48-B-3	189	3292
---	36"	120/240 V 1 PH EXP	1/2	500	7.8 / 3.9	6,900	14000 / 360	08508902	PB 36-B-HL*	135	3372	08509502	PBS 36-B-HL	160	3721
	42"		3/4	430	10.8 / 5.4	10,600	17500 / 420	08509002	PB 42-B-HL*	150	3548	08509602	PBS 42-B-HL	175	4241
	48"		1	390	13.2 / 6.6	14,400	23500 / 550	08509102	PB 48-B-HL*	173	4162	08509702	PBS 48-B-HL	198	4591

**Measured 2 feet from face of fan *Models have no listing.

Note: Products listed in this section are custom built and subject to 100% cancellation/restocking charges.

Note: Photograph is a representation of stocked models. Actual model may vary slightly in appearance.

TPI Industrial Direct Drive Suspension Blowers

12



WARNING: This product can expose you to chemicals including nickel which is known to the State of California to cause cancer, and chromium, which is known to the State of California to cause birth defects and/or reproductive harm. For more information go to www.P65Warnings.ca.gov.

Features

- On-Off rocker switch
- SJT type 3 conductor, 12' long cord
- Aluminum blade
- Powder coated spiral wire front and rear guards
- Corrosion and dent proof high density polyethylene housing
- Meets OSHA standards
- 1 year limited warranty
- Mounting chain not included
- Made in U.S.A.

Motor Specifications

- 120V, 1-Phase
- Ball bearing
- Permanent split capacitor
- 2-Speed on 30" & 36" model
- 1-Speed on 42" model
- Permanently lubricated

Standard Models

SIZE	MOTOR HP	MFG CATALOG NUMBER	MFG MODEL NUMBER	CFM*		VELOCITY PROFILE	RPM HIGH	AMPS HIGH	WT. (LBS)	LIST
				HIGH	LOW	CFM / Area Sq Ft				
30"	1/4	08213002	SBX 30-D	4,400	3,800	7200 / 250	1050	2.7	58	980
36"	1/3	08213102	SBX 36-D	6,500	5,400	11500 / 320	1050	5.5	70	1083
42"	1/2	08213202	SBX 42-D	9,000		15000 / 340	825	7.9	99	1277

*Measured 2 feet from face of fan

TPI Industrial Belt Drive Suspension Blowers



WARNING: This product can expose you to chemicals including nickel which is known to the State of California to cause cancer, and chromium, which is known to the State of California to cause birth defects and/or reproductive harm. For more information go to www.P65Warnings.ca.gov.

Features

- ON-OFF rocker switch on 120V, 1-phase models
- SJT type 3 conductor, 12' long cord on 120V, 1-phase models
- No cord on dual voltage models
- Aluminum blade: SBX 36-B, SB 36-B-HL, SB 42-B-HL, SB 48-B-HL
- Steel blade: SBX 42-B, SBX 48-B
- Corrosion and dent proof high density polyethylene housing
- Powder coated spiral wire front and rear guards
- Meets OSHA standards
- 1 year limited warranty
- Mounting chain not included
- Made in U.S.A.

Motor Specifications

- 120V, 1-Phase
- Ball bearing
- Permanent split capacitor
- 2-Speed on 30" & 36" model
- 1-Speed on 42" model
- Permanently lubricated

External junction boxes on dual voltage models allow units to be wired for either voltage without removing guards.

Hazardous Location models have explosion proof motors and external junction boxes rated for Class I, Group D, & Class II, Groups E, F & G., (Metal housing and no switch)

Standard Models

MFG CATALOG NUMBER	MFG MODEL NUMBER	SIZE	MOTOR		CFM**	VELOCITY PROFILE	RPM	AMPS	WT. (LBS)	LIST
			TYPE	HP		CFM / Area Sq Ft				
08212702	SBX 36-B	36"	115 V, 1 PH, ODP	1/2	6,900	14000 / 360	500	8	120	1322
08212802	SBX 42-B	42"		3/4	10,600	17500 / 420	430	11	135	1550
08212902	SBX 48-B	48"		1	14,400	23500 / 550	390	15	155	1619
08509802	SB 36-B-3	36"	230 / 460 V, 3 PH, ODP	1/2	6,900	14000 / 360	500	2.3 / 1.1	127	2133
08509902	SB 42-B-3	42"		3/4	10,600	17500 / 420	430	3.3 / 1.5	143	2582
08510002	SB 48-B-3	48"		1	14,400	23500 / 550	390	3.8 / 1.9	164	2715
08510102	SB 36-B-HL*	36"	115 / 230 V, 1 PH, EXP	1/2	6,900	14000 / 360	500	7.8 / 3.9	135	3372
08510202	SB 42-B-HL*	42"		3/4	10,600	17500 / 420	430	10.8 / 5.4	150	3834
08510302	SB 48-B-HL*	48"		1	14,400	23500 / 550	390	13.2 / 6.6	173	4162

Note: Products listed in this section are custom built and subject to 100% cancellation/restocking charges. Note: Photograph is a representation of stocked models. Actual model may vary slightly in appearance.

*Models have no listing. **Measured 2 feet from face of fan

TPI Industrial Mini-Blowers



FLOOR MODEL



YOKE MOUNTED MODEL

** Use in dirty or dusty environments
 ** Floor model or yoke mount available.

** Bolt to any surface, or use with optional wall/ceiling mount.

Features

- Floor models have rotary switch
- Yoke mounted models have pull chain switch
- SJT type 3 conductor, 10' long cord
- Aluminum blade
- Spiral, wire front and rear guards
- Corrosion and dent proof high density polyethylene housing
- Meets OSHA standards
- 1 year limited warranty
- Made in U.S.A. with domestic and foreign components

Motor Specifications

- 1-Phase
- 1/4 HP
- Ball bearing
- Totally enclosed
- 120V
- 2-Speed
- Permanently lubricated
- Permanent split capacitor

MBM-W
 (Optional Wall/
 Ceiling Mount)



WARNING: This product can expose you to chemicals including nickel which is known to the State of California to cause cancer, and chromium, which is known to the State of California to cause birth defects and/or reproductive harm. For more information go to www.P65Warnings.ca.gov.

Standard Models

MFG CATALOG NUMBER	MFG MODEL NUMBER	FAN		CFM* / RPM		VELOCITY PROFILE CFM / Area Sq Ft	DIMENSIONS			AMPS (High)	WT. (LBS)	LIST
		TYPE	SIZE	HIGH	LOW		"H"	"W"	"D"			
08743502	MB 24-DF	FLOOR STYLE	24"	3300 / 1140	2900 / 1070	5200 / 240	29 1/2"	28 1/2"	14 1/4"	1.8	52	963
08743602	MB 24-DY	YOKE STYLE					29"	28 1/2"	14 1/4"			
08743702	MB 30-DF	FLOOR STYLE	30"	4400 / 1040	3900 / 730	7000 / 250	38 1/2"	37 1/2"	14 1/2"	2.7	58	1064
08743802	MB 30-DY	YOKE STYLE					38"	37 1/2"	14 1/2"			
07989002	MBM-W	OPTIONAL WALL/CEILING MOUNT FOR YOKE STYLE MINI-BLOWER									4	195

*Measured 2 feet from face of fan

TPI Industrial Heavy Duty Square Belt Drive Portable Blowers



4" CASTERS



WARNING: This product can expose you to chemicals including nickel which is known to the State of California to cause cancer, and chromium, which is known to the State of California to cause birth defects and/or reproductive harm. For more information go to www.P65Warnings.ca.gov.

Features

- On-Off rocker switch
- SJT type 3 conductor, 12' long cord
- Steel blade
- Permanently lubricated bearings on blade drive shaft
- Powder coated front and rear guards
- Powder coated 20 gauge venturi
- 18 gauge galvanized steel housing
- Meets OSHA standards / 1 Year limited warranty
- Made in U.S.A.

Motor Specifications

- 1-Phase
- Ball bearing
- Drip proof motor
- 120V
- 1-Speed
- Permanently lubricated
- 1/2" Shaft

Standard Models

SIZE	MFG CATALOG NUMBER	MFG MODEL NUMBER	MOTOR			CFM*	VELOCITY PROFILE CFM / Area Sq Ft	DIMENSIONS			WT. (LBS)	LIST
			HP	RPM	AMPS			"H"	"W"	"D"		
36"	08683602	PCBT 36-B	1/2	1725	8.0	6,900	14,000 / 360	48 1/4"	40.38"	22 1/2"	120	2459
42"	08683702	PCBT 42-B	3/4		11.0	10,600	17,500 / 420	56 1/2"	48.38"	22 1/2"	140	3194
48"	08683802	PCBT 48-B	1		15.0	14,400	23,500 / 550	62 1/2"	54.38"	18 1/2"	185	3884

*Measured 2 feet from face of fan

TPI Industrial High Velocity Blowers

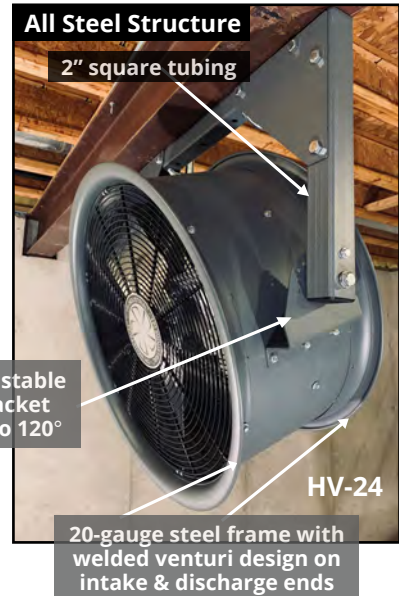


Features

- ETL C/US listed for indoor spot cooling applications
- Heavy-duty yoke mounting bracket design with 2" square steel tubing frame
- Direct drive, Totally Enclosed Air-Over (TEAO) motor generating up to 9,000-CFM's
- Single speed, permanently lubricated ball-bearings with split capacitor
- TEAO motor operates on 60HZ and 1725-RPMs, and requires hard-wired connection to the supplied electrical enclosure located on the motor housing
- Aluminum 3-paddle blade system with steel hub and cast aluminum spider connections
- Non-Oscillating fan heads offered 18", 24" & 30" diameter sizes
- 2-year motor warranty

Benefits

- Housing designed for all types of air circulating applications to provide directional high velocity air flow.
- Built-in rotating design allows the supplied mounting bracket to pivot 120° in (9) adjustment settings at 15° variations.
- Front & rear spiral wound grills are OSHA approved and have a black powder coated finish.
- All units are shipped fully assembled and ready for hard-wired connections
- TEAO motor has a Class B rating, with automatic thermal protection and ball bearing design for harsh environments; rated up to 115°F max. ambient temperature.
- Single and three phase options available in 120, 277 & 480V.



Specifications

- 1-Speed
- 1 Phase, 120V, 208/240V, 277V or 480V
- 3-Phase, 480V
- Ball bearing
- Totally enclosed, air over
- Permanent split capacitor/lubricate
- 1/2" Motor Shaft

Applications

Units are ideal for warehouse, material handling, and high-shelf areas for directing high volumes of air flow down aisles, loading dock areas, conveyor systems, processing centers, workstations, jobsite, and all types of industrial operations for rugged environments.



HV-30



HV-1

HV-3 Wall/Column Mount Accessory plus HV-30 Fan Head



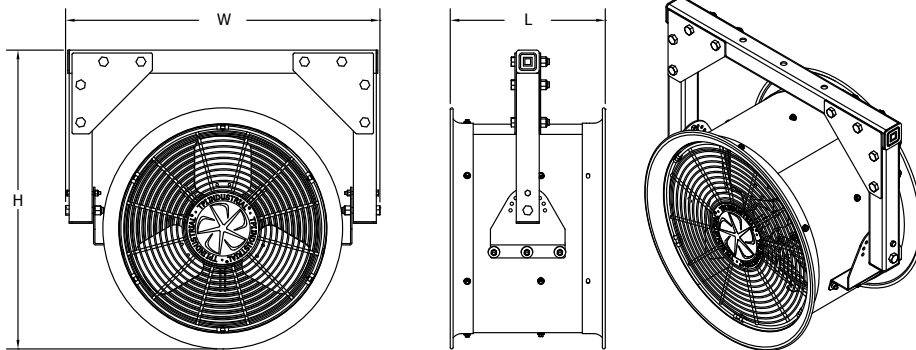
TPI Industrial High Velocity Blowers

Standard Models

SIZE	MFG CATALOG NUMBER	MFG MODEL NUMBER	VOLTS	PH	AMPS (High)	HP	WATTS	RPM	CFM*	VELOCITY PROFILE	BLADE DIA.	DIMENSIONS (in.)			WT. (lbs.)	LIST
										CFM/Area Sq. Ft.		L	W	H		
18"	08195602	HV-18-120V	120	1	3.4	1/2	373	1725	3000	5000 / 175	16"	13.5	27.4	26	45	1508
	08195702	HV-18-208/240V	208/240	1	1.9											
	08195802	HV-18-277V	277	1	1.5											
	08195902	HV-18-480V	480	1	1.0											
	08197202	HV-18-480V-3	208-230/460	3	1.4 / 0.8											1729
24"	08196002	HV-24-120V	120	1	3.8	1/2	373	1725	5290	8500 / 275	22"	13.5	33.3	31.4	58	1728
	08196102	HV-24-208/240V	208/240	1	2.1											
	08196202	HV-24-277V	277	1	1.7											
	08196302	HV-24-480V	480	1	1.1											
	08197302	HV-24-480V-3	208-230/460	3	1.5 / 0.8											2090
30"	08196402	HV-30-120V	120	1	7.6	1	746	1700	9000	14250 / 375	28"	16	38.9	39	85	2498
	08196502	HV-30-208/240V	208/240	1	4.3											
	08196602	HV-30-277V	277	1	3.2											
	08196702	HV-30-480V	480	1	1.6											
	08197402	HV-30-480V-3	208-230/460	3	3.4 / 1.6											3064

*Measured 2' from face of fan; Velocity is the highest recorded CFM

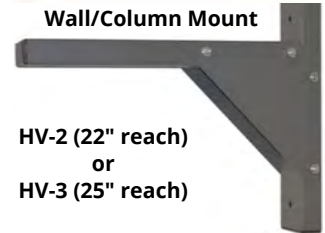
Dimensions:



Dock Swing Arm - 24" Reach



Wall/Column Mount



Accessory Models

MFG CATALOG NUMBER	MFG MODEL NUMBER	TYPE	FITS MODEL SERIES	LIST
08197502	HV-1	Dock Arm, 24" Reach	HV-18	220
08197602	HV-2	Wall / Column Mount	HV-18 & HV-24	315
08197702	HV-3	Wall / Column Mount	ALL	327
08199002	HV-4-18	Low Stand	HV-18	684
08199102	HV-4-24		HV-24	756
08199202	HV-4-30		HV-30	827
08199302	HV-5-18	Medium Stand	HV-18	1062
08199402	HV-5-24		HV-24	1170
08199502	HV-5-30		HV-30	1342
08199602	HV-6-18	High Stand	HV-18	1237
08199702	HV-6-24		HV-24	1406
08199802	HV-6-30		HV-30	1573
08199902	HV-7-DC-1	Disconnect Switch	1-Phase	723
08200002	HV-7-DC-3		3-Phase	755
08209802	HV-8	Caster Kit (Qty.4)	ALL Heads/Stands	234



Image Shown Includes

- HV-24 (Fan Head)
- HV-5-24 (Medium Stand)
- HV-8 (Caster Kit)

Note: All items must be ordered separately.

Note : Stands do not include casters

Contact TPI customer Service for additional cost for mounting fan to the stand and wiring the disconnect prior to shipping.

TPI Industrial Heavy Duty Direct Drive Blowers



LOW STAND



MEDIUM STAND



HIGH STAND

WARNING: This product can expose you to chemicals including nickel which is known to the State of California to cause cancer, and chromium, which is known to the State of California to cause birth defects and/or reproductive harm. For more information go to www.P65Warnings.ca.gov.

Features

- Totally enclosed and explosion proof motors
- Explosion proof motors are Class 1, Div 1, Group D and Class 2, Div 1, Groups F & G
- Cast Aluminum props
- 14 gauge steel body and stand
- Acid resistant coating available
- Baked enamel coating
- 360° Swivel on high and medium stand units
- Meets federal OSHA requirements
- 1 year limited warranty

NOTE:

Single phase motors are field convertible 115V / 230V
 Three phase motors are field convertible 230V / 460V
 Motors are set to lower voltage at the factory unless a request is made at time of order to set to the higher voltage

Standard Models

SIZE	MFG MODEL NUMBER	HP	RPM	CFM	DB's @ 10'	WT. (LBS)			LIST											
						STAND			TEC		EXP		TEC		EXP		TEC		EXP	
						LOW	MED	HIGH	1PH	3PH	1PH	3PH	1PH	3PH	1PH	3PH	1PH	3PH	1PH	3PH
MODEL NUMBER SUFFIXES									-L	-L-3	-L	-L-3	-M	-M-3	-M	-M-3	-H	-H-3	-H	-H-3
18"	MCD18-1/4	1/4	1725	3050	74	103	145	210	4012	3993	4617	4715	4945	4927	5539	5652	5394	5379	6006	12151
	MCD18-1/3	1/3	1725	3450	76	105	150	215	4147	4182	4935	5139	5078	5107	5865	6080	5532	5560	6327	11451
	MCD18-1	1	1725	4600	77	117	165	230	4679	4506	5550	5652	5621	5437	6473	6586	6072	5892	6935	7038
24"	MCD24-1/4	1/4	1725	5200	80	115	165	230	4104	4090	4697	4812	5156	5149	5747	5865	5524	5276	6114	6231
	MCD24-1/3	1/3	1140	5300	74	126	175	250	4762	4812	6055	6124	5813	5865	7104	7177	6181	5998	7473	7541
	MCD24-1/2	1/2	1725	6000	80	120	170	240	4448	4465	5373	5276	5499	5519	6420	6327	5865	5652	6789	6695
	MCD24-3/4	3/4	1140	6900	74	140	190	260	5678	5139	6438	6262	6731	6199	7492	7312	7095	6327	7858	7678
	MCD24-1	1	1725	7400	82	130	180	250	4826	4651	5684	5788	5876	5703	6736	6840	6243	6327	7104	7207
	MCD24-1 1/2	1.5	1725	8200	84	137	190	255	5098	4876	7534	6192	6149	5934	8585	7242	6516	6063	8952	7608
	MCD24-3	3	1725	10500	87	160	210	270	----	5322	----	6731	----	6370	----	7790	----	6508	----	8148
30"	MCD30-1/3	1/3	1140	6900	80	150	205	260	5225	5276	6516	6586	6378	6431	7671	7747	6840	6891	8123	8201
	MCD30-1/2	1/2	1725	8900	86	141	195	250	4916	4935	5840	5747	6080	6097	7001	6912	6536	6550	7454	7362
	MCD30-3/4	3/4	1140	10400	80	210	260	320	6014	5482	6765	6591	7164	6636	7926	7753	7620	7089	8378	8210
	MCD30-1	1	1140	11200	81	200	260	310	7207	5782	8596	6840	8371	6941	9756	7994	8822	7395	10208	8447
	MCD30-1 1/2	1.5	1725	12000	92	200	250	310	5550	5328	7987	6645	6703	6492	9150	7807	7156	6941	9601	8260
	MCD30-2	2	1140	14000	84	225	270	330	----	6181	----	7695	----	7344	----	8858	----	7798	----	9312
36"	MCD36-1	1	1140	13000	82	250	320	375	8140	6712	9526	7765	9569	8148	10960	9202	9869	8441	11252	9493
	MCD36-1 1/2	1.5	1725	14850	88	250	320	375	6438	6218	8874	7534	7868	7644	10302	8962	8165	7940	10603	9261
	MCD36-2	2	1140	17500	82	255	325	380	----	6867	----	8387	----	8303	----	9817	----	8596	----	10115
	MCD36-3	3	1725	18500	90	260	330	390	----	6560	----	7969	----	7987	----	9404	----	8284	----	9696
	MCD36-5	5	1725	23000	94	260	330	390	----	6671	----	8217	----	8096	----	9644	----	8387	----	9935
42"	MCD42-2	2	1140	19500	85	315	415	565	----	7884	----	9404	----	9404	----	10919	----	10005	----	11525
	MCD42-5	5	1725	27000	98	320	420	570	----	7678	----	9234	----	9202	----	10747	----	9807	----	11364
48"	MCD48-5	5	1140	32000	92	500	620	710	----	10415	----	12970	----	12090	----	14646	----	13156	----	15713
	MCD48-7 1/2	7.5	1140	37000	105	625	745	835	----	12090	----	16321	----	13768	----	17997	----	14834	----	19057
	MCD48-10	10	1140	41000	105	682	800	890	----	14149	----	17921	----	15824	----	19585	----	16887	----	20656
60"	MCD60-3	3	690	35000	87	690	855	965	----	22196	----	----	----	25357	----	----	----	26083	----	----
	MCD60-5	5	690	45000	87	730	895	1005	----	24963	----	----	----	28116	----	----	----	28852	----	----
	MCD60-7 1/2	7.5	870	47000	90	945	1110	1220	----	20920	----	----	----	24075	----	----	----	24802	----	----
	MCD60-10	10	870	57200	91	1035	1200	1310	----	26040	----	----	----	29195	----	----	----	29930	----	----
	MCD60-15	15	870	60750	92	1080	1245	1355	----	34059	----	----	----	37211	----	----	----	37946	----	----

Manual Starter Switches

MFG MODEL NUMBER		H.P. RATING	LIST PRICE	
1 PH	3 PH		1 PH	3 PH
SW-1/4	SW-1/4-3	1/4-1/3	774	1846
SW-1/2	SW-1/2-3	1/2-3/4	774	1846
SW-1	SW-1-3	1	774	1846
SW-1 1/2	SW-1 1/2-3	1.5	1815	1846
----	SW-2-3	2	----	1846
----	SW-3-3	3	----	1846
----	SW-5-3	5	----	1846
----	SW-7 1/2-3	7.5	----	1751

Polyolifin Casters

MFG MODEL NUMBER	FAN SIZE	WHEEL SIZE	WT. (LBS)	LIST
CAS - 18	18" - 30"	4"	10	742
CAS - 48	36" - 48"	5"	14	1045

(FOR LOW & MEDIUM STAND)
 4 CASTERS - 2 LOCKING

Note: Products listed in this section are custom built and subject to 100% cancellation/restocking charges

TPI Industrial Heavy Duty Permanent Mount Direct Drive Blowers



1-WAY SWIVEL



2-WAY SWIVEL

⚠ WARNING: This product can expose you to chemicals including nickel which is known to the State of California to cause cancer, and chromium, which is known to the State of California to cause birth defects and/or reproductive harm. For more information go to www.P65Warnings.ca.gov.

Features

- Front and rear spiral guards
- Explosion proof motors are Class 1, Div 1, Group D and Class 2, Div 1, Groups F & G
- Cast aluminum props
- 14 gauge steel body and stand
- Meets federal OSHA requirements
- 1 year limited warranty

NOTE:

Single Phase motors are field convertible 115V / 230V
Three Phase motors are field convertible 230V / 460V
Motors are set to lower voltage at the factory unless a request is made at time of order to set to the higher voltage

Standard Models

BLADE SIZE	MFG MODEL NUMBER	HP	RPM	CFM	DB'S @ 10'	WT. (LBS)		LIST PRICE							
								1-WAY SWIVEL				2-WAY SWIVEL			
						TEC		EXP		TEC		EXP			
						1PH	3PH	1PH	3PH	1PH	3PH	1PH	3PH		
MODEL NUMBER SUFFIXES						-T	-T-3	-T	-T-3	-S	-S-3	-S	-S-3		
18"	MCD18-1/4	1/4	1725	3050	74	130	140	5322	5304	5915	6021	6677	6662	7286	7389
	MCD18-1/3	1/3	1725	3450	76	135	145	5457	5482	6244	6448	6816	6840	7608	7818
	MCD18-1	1	1725	4600	77	145	155	5985	5813	6850	6962	7353	7177	8217	8321
24"	MCD24-1/4	1/4	1725	5200	80	145	155	5482	5457	6072	6192	6912	6886	7492	7608
	MCD24-1/3	1/3	1140	5300	74	155	165	6139	6192	7432	7498	7558	7608	8851	8918
	MCD24-1/2	1/2	1725	6000	80	150	160	5824	5840	6747	6654	7242	7269	8165	8072
	MCD24-3/4	3/4	1140	6900	74	170	180	7054	6524	7818	7636	8475	7944	9234	9063
	MCD24-1	1	1725	7400	82	160	170	6199	6027	7065	7164	7620	7448	8482	8585
	MCD24-1 1/2	1.5	1725	8200	84	165	175	6464	6253	8908	7568	7891	7671	10327	8991
30"	MCD24-3	3	1725	10500	87	190	200	----	6695	----	8105	----	8115	----	9526
	MCD30-1/3	1/3	1140	6900	80	180	190	6654	6703	7944	8013	8227	8278	9508	9584
	MCD30-1/2	1/2	1725	8900	86	170	180	6344	6362	7280	7177	7921	7934	8842	8746
	MCD30-3/4	3/4	1140	10400	80	240	250	7441	6900	8201	8020	9005	8475	9766	9595
	MCD30-1	1	1140	11200	81	230	240	8637	7207	10030	8268	10208	8781	11594	9834
	MCD30-1 1/2	1.5	1725	12000	92	230	240	6979	6757	9415	8072	8550	8329	10985	9644
36"	MCD30-2	2	1140	14000	84	255	265	----	7608	----	9122	----	9184	----	10694
	MCD30-3	3	1725	16000	94	250	260	----	7089	----	8507	----	8651	----	10072
	MCD36-1	1	1140	13000	82	295	305	9919	8482	11304	9533	11866	10431	13253	11489
	MCD36-1 1/2	1.5	1725	14850	88	295	305	8201	7987	10648	9301	10222	9935	12592	11252
	MCD36-2	2	1140	17500	82	300	310	----	8637	----	10157	----	10596	----	12109
36"	MCD36-3	3	1725	18500	90	315	325	----	8329	----	9741	----	10276	----	11688
	MCD36-5	5	1725	23000	94	305	315	----	8429	----	9986	----	10390	----	11936

Exhaust Ventilation Guide

Minute air change chart for commercial and industrial applications

Place	Typical	Range
Assembly	(6)	2-10
Auditoriums	(6)	1-20
Bakeries	(2)	1-3
Banks	(6)	3-10
Bars	(4)	2-5
Barns	(15)	10-20
Boiler Rooms	(2)	1-3
Bowling Alley	(3)	1-5
Cafeteria	(4)	3-5
Churches	(6)	2-10
Classrooms	(6)	4-8
Compressor Rooms	(2)	1-3
Dance Halls	(6)	2-10
Dairies	(4)	2-5
Dormitories	(6)	4-8
Dry Cleaning Plant	(3)	1-5

CFM Required for Ventilation = $\frac{\text{Building Cubic Feet}}{\text{Minutes Per Air Change}}$

Place	Typical	Range	Place	Typical	Range
Engine Rooms	(3)	1-5	Mills	(4)	2-5
Factories	(7)	4-10	Packing Houses	(4)	3-5
Foundries	(5)	2-8	Plants	(7)	4-10
Garages	(7)	4-10	Plating Plants	(4)	2-5
Generating Plants	(4)	2-5	Print Shops	(7)	4-10
Glass Plants	(2)	1-3	Restaurants	(6)	2-10
Gymnasiums	(6)	2-10	Rest Rooms	(7)	4-10
Hallways	(8)	4-12	Schools	(7)	4-10
Kitchens (Comm.)	(3)	1-5	Stores	(7)	4-10
Laboratories	(3)	1-5	Theaters	(6)	4-8
Libraries	(4)	2-5	Transformer Rooms	(3)	1-5
Laundries	(2)	1-3	Turbine Rooms	(4)	2-5
Locker Rooms	(6)	2-10	Waiting Rooms	(12)	10-15
Machine Shops	(4)	2-5	Warehouses	(7)	4-10
Markets	(6)	2-10	Welding Rooms	(3)	1-4

Note: Products listed in this section are custom built and subject to 100% cancellation/restocking charges

Industrial Workstation Floor Fans



Features

- ETL C/US listed for indoor spot cooling applications
- Steel construction with a silver & black powder coated finish
- Direct drive totally enclosed air-over (TEAO) motor generating up to 6000-CFM's (F24-TE-HV)
- Three-speed, 120V, 1/8, 1/4, or 1/12-HP, sleeve bearing, permanently lubricated, TEAO motor operates at 60HZ and 1660-RPMs
- Rotary switch located on the back grill
- 10' long SJT type grounded 3-conductor cordset with molded plug
- Aluminum 3-paddle blade system with steel hub and cast aluminum spider connections
- 1-year manufacturer's warranty



Motor Specifications

- Sleeve bearing
- Totally enclosed
- 1-Phase, 120V
- 3-Speed
- Permanently lubricated
- Frame size: 42
- 516" Shaft

⚠ WARNING: This product can expose you to chemicals including nickel which is known to the State of California to cause cancer, and chromium, which is known to the State of California to cause birth defects and/or reproductive harm. For more information go to www.P65Warnings.ca.gov.



FAN HEAD
TILTS 360°



MAX CFM
6,000



3 SPEEDS



120V ;
1-PHASE

Standard Models

SIZE	MFG CATALOG NUMBER	MFG MODEL NUMBER	FAN TYPE	MOTOR HP	CFM** / RPM			VELOCITY PROFILE CFM / Area Sq Ft	DIMENSIONS			MAX AMPS	WT. (LBS)	LIST
					HIGH	MED	LOW		"H"	"W"	"D"			
12"	07986102	F-12-TE	FLOOR MODEL	1/12	900 / 1590	800 / 1380	700 / 1080	1400 / 50	15 1/4"	14 1/2"	9 1/2"	1.1	13	222
18"	07972902	F-18-TE		1/8	1800 / 1660	1500 / 1550	1300 / 1370	2900 / 125	20 1/2"	20 1/2"	10 1/2"	2.2	20	279
24"	08528502	F-24-TE		1/8	2100 / 1634	1900 / 1484	1600 / 1200	3500 / 150	26"	26"	10 1/2"	2.4	23	336
24"	08775402	F-24-TE-HV		1/4	3800 / 1100	3600 / 950	3400 / 800	6000 / 240	26"	26"	10 1/2"	2.7	25	382
18"	07973002	F-18H-TE*	HIGH STAND	1/8	1800 / 1660	1500 / 1550	1300 / 1370	2900 / 125	53"	25"	27"	2.2	27	421
24"	08540602	F-24H-TE*		1/8	2100 / 1634	1900 / 1484	1600 / 1200	3500 / 150	53"	30"	27"	2.4	30	471

**Measured 2 feet from face of fan

FLOOR MODELS

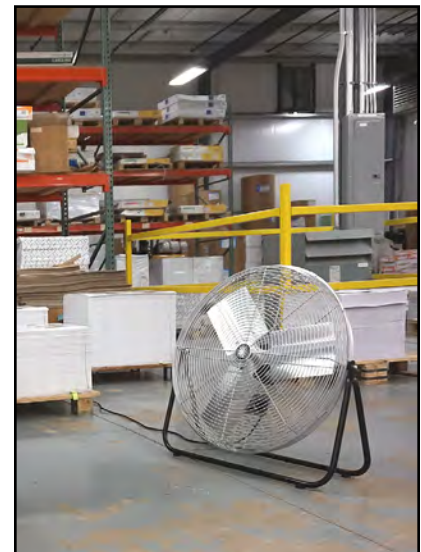
F-24-TE



F-18-TE



F-12-TE



Industrial Mounted Workstation Fans



⚠️ WARNING: This product can expose you to chemicals including nickel which is known to the State of California to cause cancer, and chromium, which is known to the State of California to cause birth defects and/or reproductive harm. For more information go to www.P65Warnings.ca.gov.

FAN SIZE	DIMENSIONS		
	"H"	"W"	"D"
12"	15 1/4"	14 1/2"	9 1/2"
18"	21 1/2"	20 1/2"	10 1/2"
24"	27"	26"	10 1/2"

Features

- Pull chain switch
- Head rotates 360° vertically and horizontally
- Coated steel guards
- SJT type 3 conductor, 10' long cord
- Steel hub/spider aluminum paddle blades
- Meets OSHA standards / 1 Year limited warranty
- Imported to TPI specifications



Motor Specifications

- Sleeve bearing
- Totally enclosed, permanently lubricated
- Frame size: 42
- 3-Speed
- 1-Phase, 120V
- 5/16" (12" fan only) and 1/2" shaft

FAN SIZE	MFG CATALOG NUMBER	MFG MODEL NUMBER	MOTOR HP	CFM* / RPM			VELOCITY PROFILE CFM / Area Sq Ft	MAX AMPS	WT. (LBS)	LIST
				HIGH	MED	LOW				
12"	07986002	U-12-TE	1/12	900 / 1590	800 / 1380	700 / 1080	1400 / 50	1.1	13	234
18"	07972802	U-18-TE	1/8	1800 / 1660	1500 / 1550	1300 / 1370	2900 / 125	2.2	20	288
24"	08540702	U-24-TE	1/8	2100 / 1634	1900 / 1484	1600 / 1200	3500 / 150	2.4	23	324
24"	08775502	U-24-TE-HV	1/4	3800 / 1100	3600 / 950	3400 / 800	6000 / 240	2.7	25	344

PIPE DIAMETER	MFG CATALOG NUMBER	MFG MODEL NUMBER	LIST
1"	08512402	PM-1	76
1 1/2"	08512502	PM-1.5	84
2"	08512602	PM-2	93
2 1/2"	08512702	PM-2.5	100
3"	08512802	PM-3	109

*Measured 2 feet from face of fan

Note: Mount with one bolt or lag screw to walls, ceilings, work benches, machines or any surface.

FAN SIZE	MFG CATALOG NUMBER	MFG MODEL NUMBER	MOTOR HP	CFM* / RPM			MAX AMPS	DESCRIPTION	LIST
				HIGH	MED	LOW			
12"	08216102	U-12-TE-W	1/12	900 / 1590	800 / 1380	700 / 1080	1.1	12" Industrial Mounted Workstation Fan w/ Mounting Arm	291
18"	08216202	U-18-TE-W	1/8	1800 / 1660	1500 / 1550	1300 / 1370	2.2	18" Industrial Mounted Workstation Fan w/ Mounting Arm	336



Workstation Mounting Arms

MFG CATALOG NUMBER	MFG MODEL NUMBER	DESCRIPTION	LIST
08215902	WCM-W-10	WORKSTATION MOUNTING ARM, 6" - 10"	103
08216002	WCM-W-14	WORKSTATION MOUNTING ARM, 10" - 14"	125

Outdoor Rated Yoke Mount Fans



⚠️ WARNING: This product can expose you to chemicals including nickel which is known to the State of California to cause cancer, and chromium, which is known to the State of California to cause birth defects and/or reproductive harm. For more information go to www.P65Warnings.ca.gov.

Features

- Direct drive totally enclosed motor
- Pull chain switch
- Head rotates 360° vertically and horizontally
- Knobs allow for 180° vertical rotation
- Coated black finish steel guards
- Steel yoke mounting bracket
- All black finish with aiming handle
- SJT type 3 conductor, 10' long cord
- Steel hub/spider aluminum 3-paddle blades
- Meets OSHA standards / 1 yr limited warranty
- Imported to TPI specifications

Motor Specifications

- Sleeve bearing
- Totally enclosed, permanently lubricated
- Frame size: 42
- 3-Speed
- 1-Phase, 120V
- 1/2" shaft



Standard Models

FAN SIZE	MFG CATALOG NUMBER	MFG MODEL NUMBER	MOTOR HP	RPM	CFM			VELOCITY PROFILE CFM/Area Sq. Ft.	MAX AMPS	WT. (LBS)	LIST
					HIGH	MED	LOW				
18"	08194502	U-18-TE-HD	1/10	1625	1900	1500	1300	3100 / 125	1.1	20	333
24"	08211802	U-24-TE-HD	1/4	1625	3800	3600	3400	6000 / 240	2.4	28	357

*Measured 2 feet from face of fan

TPI Commercial Floor Fans



CF-20



WARNING: This product can expose you to chemicals including nickel which is known to the State of California to cause cancer, and chromium, which is known to the State of California to cause birth defects and/or reproductive harm. For more information go to www.P65Warnings.ca.gov.

Features

- Rotary switch
- SJT type cord - 3 conductor - 7' long
- Aluminum blade
- Coated steel guards with retaining clips
- Meets OSHA standards / 1 Year limited warranty
- Imported to TPI specifications

Motor Specification

- 3-Speed
- 120V
- Sleeve bearing
- 1-Phase
- Open ventilated
- Permanently lubricated

Standard Models

MFG CATALOG NUMBER	MFG MODEL NUMBER	SIZE	TYPE	MOTOR HP	CFM			MAX AMPS	WT. (LBS)	LIST
					HIGH	MED	LOW			
08723002	CF-12	12"	FLOOR	1/12	1050	875	750	0.6	10	130
08723102	CF-18	18"	FLOOR	1/5	1600	1480	1380	1.4	16	161
08706502	CF-20	20"	FLOOR	1/5	1725	1600	1480	1.9	18	222

Units should be used in clean, dry, commercial applications. **Note: Photograph is a representation of stocked models. Actual model may vary in appearance.**

Workstation Oscillating Office Fans



STAND FAN

DESK FAN



Features

- 3-speed oscillating fans with push button controls
- 3 conductor SPT cord & plug
- White powder coated wire mesh guards
- White plastic housing and blade
- Stand fan extends to 40" height
- Meets OSHA standards / 1 Year limited warranty
- Imported to TPI specifications

WARNING: This product can expose you to chemicals including nickel which is known to the State of California to cause cancer, and chromium, which is known to the State of California to cause birth defects and/or reproductive harm. For more information go to www.P65Warnings.ca.gov.

Standard Models

SIZE	MFG CATALOG NUMBER	MFG MODEL NUMBER	FAN TYPE	SPEEDS	CFM HIGH	AMPS HIGH	WT. (LBS)	LIST
12"	08513002	ODF-12	DESK	3	860	0.4	5.4	111
16"	08513102	ODF-16	DESK	3	1530	0.5	8.5	130
16"	08513202	OSF-16	STAND	3	1530	0.5	15.5	164

Workstation Wall Mount Fan With Pivoting Arm

18" HIGH VELOCITY FAN MOUNTED ON 24", 40", or 60" PIVOTING ARMS



WARNING: This product can expose you to chemicals including nickel which is known to the State of California to cause cancer, and chromium, which is known to the State of California to cause birth defects and/or reproductive harm. For more information go to www.P65Warnings.ca.gov.

Mounting Arm Features

- 1 1/2" square, 14 gauge, steel tubing
- 3" x 5" x 3/16" mounting plate attaches with (4) 3/8" bolts
- 5' long, 18/5 SJTW conductor cord and NEMA 5-15 grounded plug
- Dual electrical outlets embedded in arm to allow connection of modular fan and optional light
- Made in U.S.A. with domestic and foreign components



Modular Fan Features

- 18" high velocity circulator, with 3 speed, 1/8 HP, 115V, 1-Phase permanently lubricated, totally enclosed, PSC motor
- Modular fan plugs into electrical outlet on arm
- Coated steel guards / Aluminum blades
- Meets OSHA standards / 1 year limited warranty

Use on loading docks to cool off workers entering hot truck trailers.

Use at factory workstations to cool off people or the machines.

Standard Models

MFG CATALOG NUMBER	MFG MODEL NUMBER	FAN SIZE	ARM LENGTH	FAN CFM*			VELOCITY PROFILE CFM / Area Sq Ft	MAX AMPS	WT. (LBS)	LIST
				HIGH	MED	LOW				
08009102	24-LDF-TE	18"	24"	1800	1500	1300	2900 / 125	2.2	31	457
08009202	40-LDF-TE		40"						38	571
08009302	60-LDF-TE		60"						44	612

*Measured 2 feet from face of fan

Loading Dock Arm Fan

MFG CATALOG NUMBER	MFG MODEL NUMBER	FAN SIZE	FAN CFM*			MAX AMPS	WT. (LBS)	LIST
			HIGH	MED	LOW			
07971802	LDF-18-TE	18"	1800	1500	1300	2.2	20	293

Optional Modular Lights



DKL-INC



Light Features

- Plugs into embedded outlet in arm
- On/off switch and wire guard included
- LED bulb included with DKLED-30W-SP
- Safety yellow finish for higher visibility

Standard Models

MFG CATALOG NUMBER	MFG MODEL NUMBER	LIGHT HEAD TYPE	MAX WATTS	MAX LUMENS	AVE. BULB LIFE (HRS)	WT. (LBS)	LIST
04465602	DKL-INC	Incandescent	300	3,700	2,000	5	121

WARNING: This product can expose you to chemicals including nickel which is known to the State of California to cause cancer, and chromium, which is known to the State of California to cause birth defects and/or reproductive harm. For more information go to www.P65Warnings.ca.gov.

Low Velocity "Special Application" Workstation Fan



WALL MOUNT

WARNING: This product can expose you to chemicals including nickel which is known to the State of California to cause cancer, and chromium, which is known to the State of California to cause birth defects and/or reproductive harm. For more information go to www.P65Warnings.ca.gov.

Features

- 12" aluminum blade air circulator for wall, ceiling, or bench mount
- 120V, 1-phase, 1/12HP with direct wire electrical connection
- Toggle switch with 2-speed control generating up to 1200 CFM
- All metal construction with a gray powder coated finish
- Fan head tilts 90° in horizontal and vertical plane
- Conforms to U.S. Navy Specification MIL-DTL-68G
- Meets OSHA standards / 1-year limited warranty
- Made in the U.S.A. with domestic and foreign components

Standard Models

SIZE	MFG CATALOG NUMBER	MFG MODEL NUMBER	MOTOR HP	CFM* / RPM		VELOCITY PROFILE CFM / Area Sq Ft	AMPS HIGH	WT. (LBS)	LIST
				HIGH	LOW				
12"	08708902	N-12	1/12	800 / 1350	600 / 1000	1200 / 40	0.6	12	477

*Measured 2 feet from face of fan



BENCH MOUNT



CEILING MOUNT

Industrial Ceiling Fans

Features

- 120-Volt / single phase, 60HZ electrical service
- Permanently sealed double radial ball bearing PSC AC motor provides maintenance free and quiet operation
- Low energy consumption – high efficiency performance
- White powder coated finish on steel motor housing & downrod
- White polymer 3-paddle blade system designed for quiet operation
- Includes 24" stainless steel safety cable kit
- Easy to mount to the supplied steel J-Hook connection
- Satisfies the U.S. Department of Energy's "Energy Guide" requirements
- E-CF models contain (4) 24" long lead wires for forward/reverse direct wire options providing year round operation in downflow or upflow direction
- E60-CFC has 3-speeds, includes cord/controller & IP65 rated equivalent for wet locations
- ETL Listed for USA & Canada / 5-year limited warranty



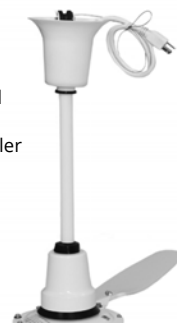
Models: E56-CF or E60-CF

Forward / Reverse wiring options



Model: E60-CFC

Indoor / Outdoor Rated
Plug & Play Install
Includes Speed Controller



Motor Specifications

- 1-Phase, 120V
- Permanent sealed
- Ball bearing PSC AC Motor

• Energy Consumption:

Model #	Amps	Watts
E-56CF	0.70	85
E-60CF	0.70	90
E-60CFC	0.80	95

WARNING: This product can expose you to chemicals including nickel which is known to the State of California to cause cancer, and chromium, which is known to the State of California to cause birth defects and/or reproductive harm. For more information go to www.P65Warnings.ca.gov.



Standard Models

MFG CATALOG NUMBER	MFG MODEL NUMBER	BLADE DIAMETER	AIRFLOW OPTIONS	DOWNROD LENGTH	MAX CFM	MOTOR RPM	MOTOR TYPE	CORD INCLUDED	SPEED CONTROLLER	WEIGHT (LBS.)	LIST
08198202	E-56CF	56"	Forward/Reverse	18"	7,775	290	Moisture Rated	None	Sold Separately	22	315
08198302	E-60CF	60"	Forward/Reverse	18"	8,434	260	Moisture Rated	None	Sold Separately	22	388
08198402	E-60CFC	60"	Down Draft	24"	9,630	250	Wet Rated	Yes	Included; 3-Speed	28	610

Accessories

MFG CATALOG NUMBER	MFG MODEL NUMBER	TYPE	VOLTS	MAX AMPS	VARIABLE CONTROL KNOB	REVERSING SWITCH	# OF FANS	FOR USE WITH	LIST
07994102	KBWC-110K	Solid State Variable Speed Controllers	120	10	Yes w/ 3" X 5" Aluminum Plate **	No	1-10	All 3-Models	249
08666802	KBWC-15SK			5		Yes	1-5	E-56CF & E60CF	228
08210602	DR36	Down Rod Extender	36" long, steel, white finish, 3/4" diameter					All 3-Models	72

** Fits 2" x 4" Opening

How to Determine the Total # of Ceiling Fans Needed

Ceiling Height (feet)	Coverage Area (square feet)
10 - 11	600
12 - 13	800
14 - 15	950
16 - 17	1100
18 - 19	1300
20 - 21	1450

What to Measure:

Total Square Footage (L x W)
Maximum Ceiling Height

Small Area Example:

If you have a 3,000 square foot facility with 16' ceilings:

Calculation (Total Sq.Ft. / Coverage Area): 3,000/1,100 = 2.73

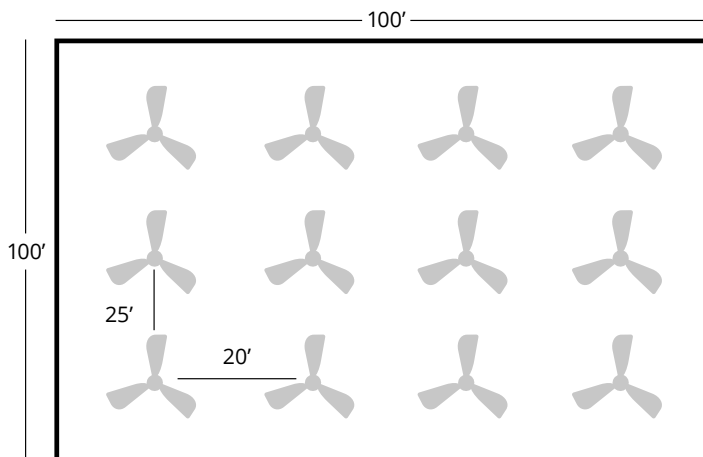
Total # of fans needed = 3

Large Area Example:

If you have a 10,000 square foot facility with 13' ceilings:

Calculation (Total Sq.Ft. / Coverage Area): 10,000/800 = 12.5

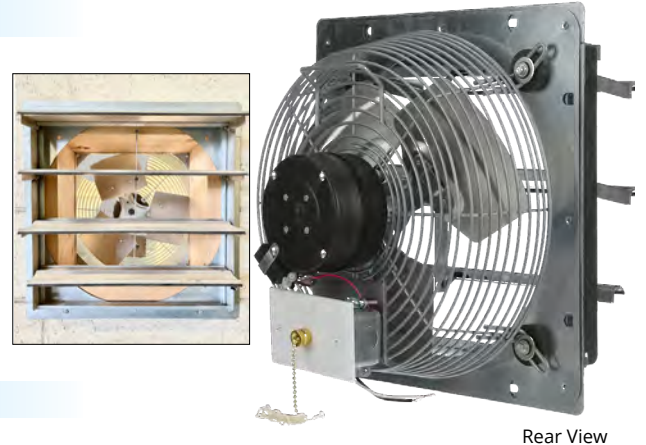
Total # of fans needed = 12 (See chart for layout)



Shutter Mounted Direct Drive Exhaust Fans

Features

- Can be installed from inside wall
- Eliminates need for external framing and shutter
- Pull chain switch
- No Cord-Junction box provided for direct wiring
- Aluminum blade
- Steel spiral wire guards
- Made in U.S.A. with domestic and foreign components.
- See sizing chart on page 17



Rear View

Motor Specifications

- 120V, 1-Phase, totally enclosed, permanently lubricated
- 1/12 HP motor is 3-Speed sleeve bearing permanent split capacitor
- 1/8 HP motor is 3-Speed sleeve bearing permanent split capacitor
- 1/4 HP motor is 2-Speed ball bearing permanent split capacitor

Note: Rough-in hole size is 1/2" inch larger than fan blade size

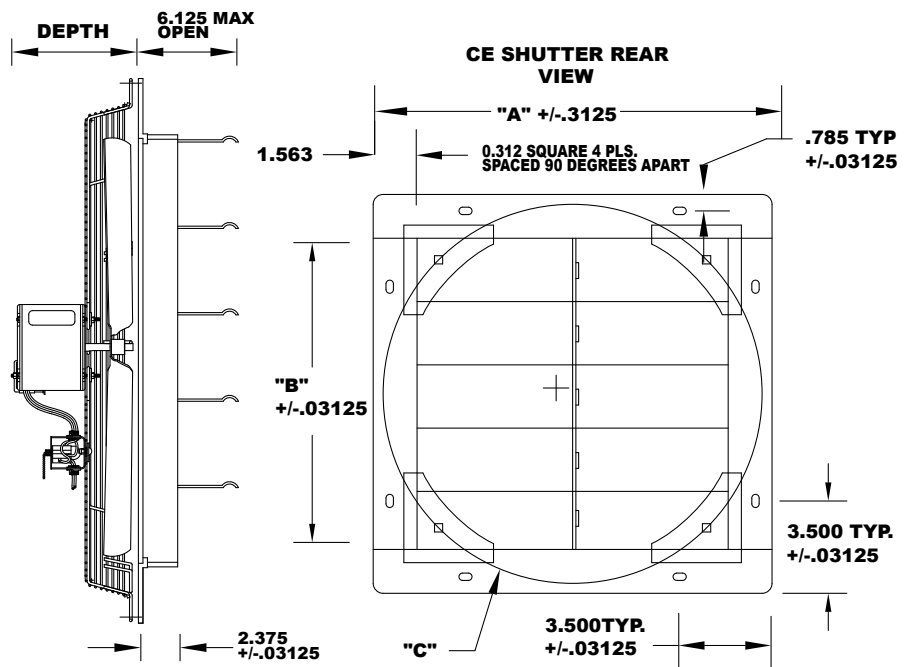
WARNING: This product can expose you to chemicals including nickel which is known to the State of California to cause cancer, and chromium, which is known to the State of California to cause birth defects and/or reproductive harm. For more information go to www.P65Warnings.ca.gov.

Standard Models

FAN SIZE	MFG CATALOG NUMBER	MFG MODEL NUMBER	HP	CFM / RPM			AMPS HIGH	WT. (LBS)	LIST
				HIGH	MED	LOW			
10"	08689902	CE 10-DS	1/12	680 / 1560	540 / 1250	460 / 1080	1	11	458
12"	07986202	CE 12-DS	1/12	825 / 1560	710 / 1250	560 / 1080	1.1	16	520
14"	08690002	CE 14-DS	1/8	1520 / 1660	1400 / 1550	1250 / 1370	2	17	657
16"	08690102	CE 16-DS	1/8	2100 / 1660	1900 / 1550	1700 / 1370	2.1	18	687
18"	07986302	CE 18-DS	1/8	2300 / 1660	2100 / 1050	1850 / 1370	2.2	25	747
20"	08690202	CE 20-DS	1/4	2925 / 1140	-	2380 / 1070	2.3	34	886
24"	07986402	CE 24-DS	1/4	3400 / 1140	-	2770 / 1070	2.5	47	984
30"	07986502	CE 30-DS	1/4	3950 / 1140	-	3080 / 1070	2.7	54	1233

Dimensions (Inches)

SIZE	DEPTH	DIMENSIONS		
		"A"	"B"	"C"
10"	5.81"	13.125"	10"	12.375"
12"	7.18"	15.125"	12"	14.375"
14"	7.18"	17.125"	14"	16.375"
16"	7.18"	19.125"	16"	18.250"
18"	7.18"	21.125"	18"	21.750"
20"	7.18"	23.125"	20"	23.686"
24"	7.18"	27.125"	24"	27.750"
30"	7.18"	33.125"	30"	33.750"



Guard Mounted Direct Drive Exhaust Fans

Features

- Bolts directly to the wall
- Can be used with or without external shutter
- Pull chain switch
- No Cord-Junction box provided for direct wiring
- Aluminum blade
- Steel spiral wire guards
- Made in U.S.A. with domestic and foreign components.

WARNING: This product can expose you to chemicals including nickel which is known to the State of California to cause cancer, and chromium, which is known to the State of California to cause birth defects and/or reproductive harm. For more information go to www.P65Warnings.ca.gov.

Note: Rough-in hole size is 1/2" inch larger than fan blade size



Motor Specifications

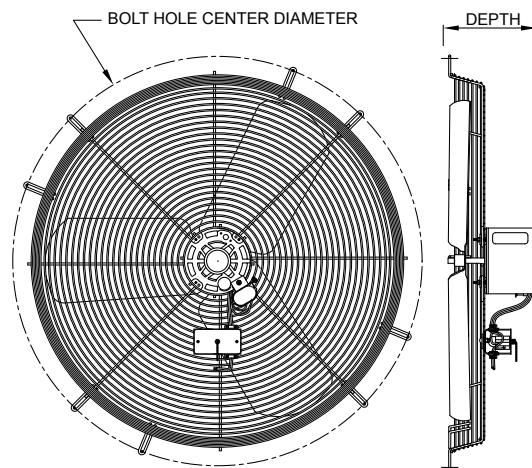
- 120V, 1-Phase, totally enclosed, permanently lubricated
- 1/12 HP motor is 3-Speed sleeve bearing permanent split capacitor
- 1/8 HP motor is 3-Speed sleeve bearing permanent split capacitor
- 1/4 HP motor is 2-Speed ball bearing permanent split capacitor

Standard Models

FAN SIZE	MFG CATALOG NUMBER	MFG MODEL NUMBER	HP	CFM / RPM			AMPS HIGH	WT. (LBS)	LIST
				HIGH	MED	LOW			
10"	08689502	CE 10-D	1/12	680 / 1560	540 / 1250	460 / 1080	1	11	390
12"	07985002	CE 12-D	1/12	825 / 1560	710 / 1250	560 / 1080	1.1	12	440
14"	08689602	CE 14-D	1/8	1520 / 1660	1400 / 1550	1250 / 1370	2	17	467
16"	08689702	CE 16-D	1/8	2100 / 1660	1900 / 1550	1700 / 1370	2.1	18	488
18"	07984902	CE 18-D	1/8	2300 / 1660	2100 / 1050	1850 / 1370	2.2	19	536
20"	08689802	CE 20-D	1/4	2925 / 1140	-	2380 / 1070	2.3	34	697
24"	07984802	CE 24-D	1/4	3400 / 1140	-	2770 / 1070	2.5	38	775
30"	07984702	CE 30-D	1/4	3950 / 1140	-	3080 / 1070	2.7	42	904

Dimensions (Inches)

SIZE	BOLT HOLE CENTER WIDTH	DEPTH
10"	14.14"	5.81"
12"	16.46"	7.18"
14"	18.30"	7.18"
16"	20.34"	7.18"
18"	22.64"	7.18"
20"	25.46"	7.18"
24"	29.08"	7.18"
30"	34.89"	7.18"



Optional Wall Shutters

FAN SIZE	MFG CATALOG NUMBER	MFG MODEL NUMBER	WT. (LBS)	LIST
10"	08684302	CES-10G	5	104
12"	07985502	CES-12G	5.5	144
14"	08684502	CES-14G	6.5	176
16"	08514702	CES-16G	8	204
18"	07985602	CES-18G	9	246
20"	07975202	CES-20G	10	274
24"	07985702	CES-24G	13	306
30"	07985802	CES-30G	19	357

Venturi Mounted Direct Drive Exhaust Fans

Features

- Can be installed from inside wall
- Can be used with external shutter
- Pull chain switch
- No Cord-Junction box provided for direct wiring
- Aluminum blade
- Steel spiral wire guards
- Made in U.S.A. with domestic and foreign components



Motor Specifications

- 120V, 1-Phase, totally enclosed, permanently lubricated
- 1/12 HP motor is 3-Speed sleeve bearing permanent split capacitor
- 1/8 HP motor is 3-Speed sleeve bearing permanent split capacitor
- 1/4 HP motor is 2-Speed ball bearing permanent split capacitor

WARNING: This product can expose you to chemicals including nickel which is known to the State of California to cause cancer, and chromium, which is known to the State of California to cause birth defects and/or reproductive harm. For more information go to www.P65Warnings.ca.gov.

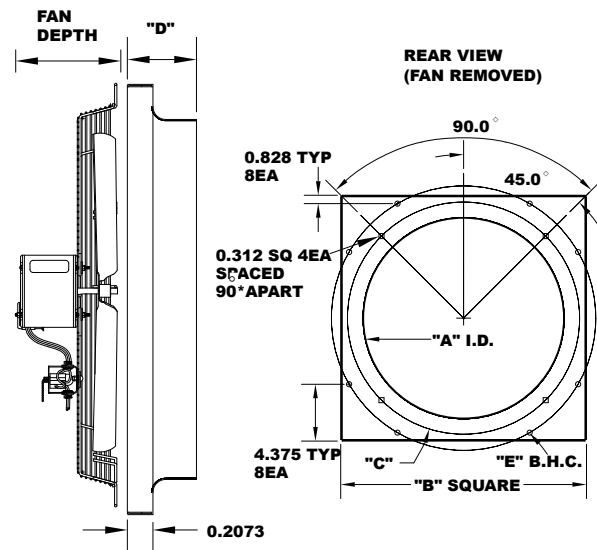
Note: Rough-in hole size is 1/2" inch larger than fan blade size

Standard Models

FAN SIZE	MFG CATALOG NUMBER	MFG MODEL NUMBER	HP	CFM / RPM			AMPS HIGH	WT. (LBS)	LIST
				HIGH	MED	LOW			
10"	08690302	CE 10-DV	1/12	680 / 1560	540 / 1250	460 / 1080	1	11	458
12"	07986602	CE 12-DV	1/12	825 / 1560	710 / 1250	560 / 1080	1.1	17	519
14"	08690402	CE 14-DV	1/8	1520 / 1660	1400 / 1550	1250 / 1370	2	17	657
16"	08690502	CE 16-DV	1/8	2100 / 1660	1900 / 1550	1700 / 1370	2.1	18	687
18"	07986702	CE 18-DV	1/8	2300 / 1660	2100 / 1050	1850 / 1370	2.2	26	747
20"	08690602	CE 20-DV	1/4	2925 / 1140	-	2380 / 1070	2.3	34	886
24"	07986802	CE 24-DV	1/4	3400 / 1140	-	2770 / 1070	2.5	48	984
30"	07986902	CE 30-DV	1/4	3950 / 1140	-	3080 / 1070	2.7	55	1233

Dimensions (Inches)

SIZE	DEPTH	DIMENSIONS				
		"A"	"B"	"C"	"D"	"E"
10"	5.81"	10.250"	12.63"	12.375"	2.000"	12.875"
12"	7.18"	12.250"	14.50"	14.375"	2.000"	14.625"
14"	7.18"	14.250"	17.13"	16.375"	2.500"	17.375"
16"	7.18"	16.250"	19.13"	18.250"	2.875"	20.000"
18"	7.18"	18.125"	21.00"	21.750"	2.750"	22.875"
20"	7.18"	20.250"	23.13"	23.686"	2.750"	25.625"
24"	7.18"	24.250"	29.50"	27.750"	2.875"	27.875"
30"	7.18"	30.250"	33.50"	33.750"	2.875"	33.875"



Optional Wall Shutters

FAN SIZE	MFG CATALOG NUMBER	MFG MODEL NUMBER	DIMENSIONS		WT. (LBS)	LIST
			WIDTH	LENGTH		
10"	08684302	CES-10G	13.13"	13.13"	5.0	104
12"	07985502	CES-12G	15.13"	15.13"	5.5	144
14"	08684502	CES-14G	17.13"	17.13"	6.5	176
16"	08514702	CES-16G	19.00"	19.00"	8.0	204
18"	07985602	CES-18G	21.13"	21.13"	9.0	246
20"	07975202	CES-20G	23.13"	23.13"	10.0	274
24"	07985702	CES-24G	27.13"	27.13"	13.0	306
30"	07985802	CES-30G	33.13"	33.13"	19.0	357

Belt Drive Exhaust Fans & Optional Shutters

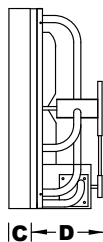
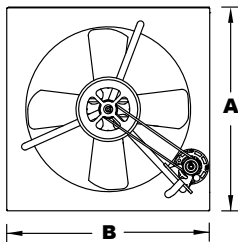
Venturi Mounted Belt Drive Exhaust Fan

Features

- Steel venturi frame exhaust fan, bolts directly to an inside wall or framed / vertical surface
- Motor is designed for direct wiring connection; NO cord provided
- Operates at 115/120V at single-phase or 230/460V at 3-phase; 1725 RPMs
- Single speed, belt drive motor constructed of ball bearing, split capacitor, drip proof and is permanently lubricated
- Steel frame has a gray powder coated finish and uses a 4-paddle aluminum blade
- Designed for harsh industrial and commercial environments to improve air quality
- Belt drive motor allows for quieter operation and higher air volume performance
- Can be used with or without external shutter (sold separately)
- UL recognized motor has a frame size of 56
- Proudly Designed, Engineered, Tested and Assembled in the USA



Dimensions (Inches)



MODEL	DIMENSIONS A x B x C x D
CE-24B	29.5" x 31" x .75" x 17"
CE-30B	35.5" x 34" x .75" x 17"
CE-36B	41.5" x 40" x .75" x 17"
CE-42B	48" x 48" x .75" x 17"
CE-48B	54" x 54" x .75" x 17"

WARNING: This product can expose you to chemicals including nickel which is known to the State of California to cause cancer, and chromium, which is known to the State of California to cause birth defects and/or reproductive harm. For more information go to www.P65Warnings.ca.gov.

Standard Models

SIZE	MOTOR HP	AMPS		CFM	WT. (LBS)	115V 1-PHASE			230/460V 3-PHASE		
		115V	230/460V			MFG CATALOG NUMBER	MFG MODEL NUMBER	LIST	MFG CATALOG NUMBER	MFG MODEL NUMBER	LIST
24	1/3	5	1.9 / .9	10,000	50	07967002	CE-24B	1115	08510402	CE-24B-3	1283
30	1/3	6	1.9 / .9	11,600	60	07967102	CE-30B	1255	08510502	CE-30B-3	1432
36	1/2	8	2.3 / 1.1	14,000	65	07967202	CE-36B	1450	08510602	CE-36B-3	1620
42	3/4	11	3.3 / 1.5	17,500	75	07967302	CE-42B	1819	08510702	CE-42-B-3	2257
48	1	15	3.8 / 1.9	23,500	98	07967402	CE-48B	2273	08510802	CE-48-B-3	2404

Optional Exhaust Shutters



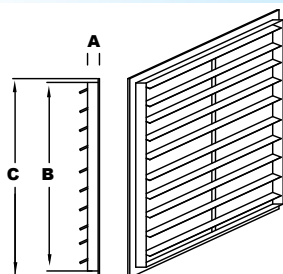
Features

- Air open - gravity close
- Aluminum frame
- Aluminum louvers
- Weather stripping for tighter seal
- For ONLY CE-Series BELT Drive Fans
- Made in U.S.A.

Standard Models

MFG CATALOG NUMBER	MFG MODEL NUMBER	WT. (LBS)	LIST
07967502	CES-24	11	375
07967602	CES-30	15	458
07967702	CES-36	19	803
07967802	CES-42	23	1021
07967902	CES-48	28	1176

Shutter Dimensions (Inches)



- (A) Thickness
- (B) Blade Housing Size
- (C) Overall Size

MFG MODEL NUMBER	OUTSIDE FRAME DIMENSIONS A x C x C	INSIDE FRAME DIMENSIONS B x B
CES-24	3" x 27" x 27"	24" x 24"
CES-30	3" x 33" x 33"	30" x 30"
CES-36	3" x 39" x 39"	36" x 36"
CES-42	3" x 45" x 45"	42" x 42"
CES-48	3" x 51" x 51"	48" x 48"

* Recommend adding 1/2" to inside frame dimension for wall opening

Industrial Direct Drive Exhaust Fans

Features

- Totally enclosed motors:
 - 1-Phase motors are field convertible 115V / 230V
 - 3-Phase motors are field convertible 230V / 460V
 - Motors are set to lower voltage at the factory, unless a request is made at time of order to set to the higher voltage
- 14 gauge steel venturi with steel pipe bracing
- 4-blade steel propeller
- 1 year limited warranty



WARNING: This product can expose you to chemicals including nickel which is known to the State of California to cause cancer, and chromium, which is known to the State of California to cause birth defects and/or reproductive harm. For more information go to www.P65Warnings.ca.gov.

Options

- CES Shutters
- EMF Front Guards
- IBG Rear Guards

Standard Models

BLADE SIZE	MFG MODEL NUMBER		PANEL SIZE (Sq.)	HP	RPM	CFM 0' SP	db's @ 10'	WT. (LBS)	LIST	
	1-PHASE	3-PHASE							TEC	
	115/230V-60Hz	208/230/460v-60Hz							1 PH	3 PH
12"	IED12-1/4	IED12-1/4-3	16"	1/4	1725	1480	64	30	1905	1911
16"	IED16-1/3	IED16-1/3-3	20"	1/3	1725	2834	73	40	2280	2327
18"	IED18-1/2	IED18-1/2-3	24"	1/2	1725	3890	74	55	2562	2583
20"	IED20-3/4	IED20-3/4-3	24"	3/4	1725	4574	77	65	2975	2975
24"	IED24-1	IED24-1-3	30"	1	1725	6632	81	155	3434	3248
30"	IED30-1	IED30-1-3	36"	1	1150	8600	79	185	6723	3892
36"	IED36-1 1/2	IED36-1 1/2-3	42"	1.5	1150	12103	82	260	8474	5205
42"	-----	IED42-2-3	48"	2	1150	17315	87	280	--	5580
48"	-----	IED48-3-3	54"	3	850	24280	86	360	--	7823

Note: Products listed in this section are custom built and subject to 100% cancellation/restocking charges

Dimensions

SIZE	BLADE DIAMETER	PANEL SIZE	DEPTH DIMENSION
12"	12"	16"	11"
16"	16"	20"	11"
20"	20"	24"	13"
24"	24"	30"	15"
30"	30"	36"	15"
36"	36"	42"	18"
42"	42"	48"	18"
48"	48"	54"	20"

Note: Depth dimension varies with motor selection

Industrial Belt Drive Exhaust Fans

Features

- Totally enclosed motors:
 - 1-Phase motors are field convertible 115V / 230V
 - 3-Phase motors are field convertible 230V / 460V
 - Motors are set to lower voltage at the factory, unless a request is made at time of order to set to the higher voltage
- 16 gauge steel venturi with steel pipe bracing
- Steel blades
- Double pillow block bearing shaft support
- 1 year limited warranty



⚠ WARNING: This product can expose you to chemicals including nickel which is known to the State of California to cause cancer, and chromium, which is known to the State of California to cause birth defects and/or reproductive harm. For more information go to www.P65Warnings.ca.gov.

Options

- CES Shutters
- EMF Front Guard
- IBG Rear Guards

Standard Models

BLADE SIZE	MFG MODEL NUMBER		PANEL SIZE (Sq.)	HP	RPM	CFM	db's @ 10'	WT. (LBS)	LIST	
	1-PHASE	3-PHASE							1 PH	3PH
	115/230V-60Hz	208/230/460v-60Hz								
24"	IE24-1/3	IE24-1/3-3	30"	1/3	825	5300	61	70	3308	3335
	IE24-1/2	IE24-1/2-3		1/2	925	6200	66	75	3417	3436
	IE24-3/4	IE24-3/4-3		3/4	1050	7000	71	82	3700	3474
	IE24-1	IE24-1-3		1	1175	7800	73	90	3739	3561
30"	IE30-1/3	IE30-1/3-3	36"	1/3	570	7500	62	95	3461	3487
	IE30-1/2	IE30-1/2-3		1/2	625	8500	64	95	3859	3597
	IE30-3/4	IE30-3/4-3		3/4	725	10000	66	105	3865	3647
	IE30-1	IE30-1-3		1	825	11000	70	115	3951	3772
36"	IE36-1/3	IE36-1/3-3	42"	1/3	425	9000	64	103	3809	3829
	IE36-1/2	IE36-1/2-3		1/2	500	10500	66	105	3924	3951
	IE36-3/4	IE36-3/4-3		3/4	575	11900	68	110	4269	3992
	IE36-1	IE36-1-3		1	650	13100	70	120	4248	4070
	IE36-1 1/2	IE36-1 1/2-3		1 1/2	750	15000	72	155	4855	4635
	IE36-2	IE36-2-3		2	830	16500	74	165	----	4730
42"	IE42-3/4	IE42-3/4-3	48"	3/4	430	14000	67	175	4761	4544
	IE42-1	IE42-1-3		1	490	15400	69	180	4796	4627
	IE42-1 1/2	IE42-1 1/2-3		1 1/2	550	17200	71	185	5024	4811
	IE42-2	IE42-2-3		2	620	19400	74	200	---	5487
	-----	IE42-3-3		3	700	22000	79	225	----	5676
48"	IE48-3/4	IE48-3/4-3	54"	3/4	350	17000	70	185	5210	4990
	IE48-1	IE48-1-3		1	400	19100	71	190	5247	5074
	IE48-1 1/2	IE48-1 1/2-3		1 1/2	460	22000	72	200	5464	5252
	IE48-2	IE48-2-3		2	520	24000	74	250	----	6114
	-----	IE48-3-3		3	590	27500	80	260	----	6303
	-----	IE48-5-3		5	660	30500	83	280	----	6352
60"	IE60-2	IE60-2-3	66"	2	320	31000	77	320	----	8507
	-----	IE60-3-3		3	370	35000	84	330	----	8694
	-----	IE60-5-3		5	420	39000	86	350	----	8768

Note: Products listed in this section are custom built and subject to 100% cancellation/restocking charges

Dimensions

SIZE	BLADE DIAMETER	PANEL SIZE	DEPTH DIMENSION
24"	24"	30"	18"
30"	30"	36"	18"
36"	36"	42"	20"
42"	42"	48"	20"
48"	48"	54"	22"
60"	60"	66"	28"

Note: Depth dimension varies with motor selection

Heavy Duty Direct Drive Exhaust Fans

Features

- Totally enclosed and explosion proof motors
 - Explosion proof motors are Class 1, Div 1 Group D and Class 2, Div 1, Groups F & G
- Fans are shipped completely assembled
- Cast aluminum blades
- 14 gauge steel panel with welded steel pipe bracing
- 1 year limited warranty

⚠ WARNING: This product can expose you to chemicals including nickel which is known to the State of California to cause cancer, and chromium, which is known to the State of California to cause birth defects and/or reproductive harm. For more information go to www.P65Warnings.ca.gov.



Options

- CES Shutters
- EMF Front Guards
- IBG Rear Guards
- Acid Resistant Coating
- Reversed Air Flow
- Flat Front Venturi

Standard Models

BLADE SIZE	MFG MODEL NUMBER		PANEL SIZE (Sq.)	HP	RPM	CFM @ 1" SP	db's @ 10'	WT. (LBS)	LIST				
	1-PHASE	3-PHASE							TEC		EXP*		
	115/230V-60Hz	208/230/460v-60Hz							1 PH	3 PH	1 PH	3 PH	
12"	EHD12-1/4	EHD12-1/4-3	16"	1/4	1725	1180	74	35	2411	2397	3020	3121	
16"	EHD16-1/4	EHD16-1/4-3	20"	1/4	1725	2800	75	45	2941	2959	3551	3654	
18"	EHD18-1/3	EHD18-1/3-3	24"	1/3	1725	3375	75	60	3121	3146	3918	4131	
	EHD18-1/2	EHD18-1/2-3		1/2	1725	4150	76	60	3257	3278	4192	4147	
20"	EHD20-1/4	EHD20-1/4-3	24"	1/4	1725	3720	75	60	2986	2970	3600	3696	
	EHD20-1/2	EHD20-1/2-3		1/2	1725	4800	76	65	3216	3242	4155	4114	
	EHD20-1	EHD20-1-3		1	1725	6900	77	70	3593	3421	4490	4567	
24"	EHD24-1/4	EHD24-1/4-3	30"	1/4	1725	5200	82	135	3166	3146	3778	3882	
	EHD24-1/3	EHD24-1/3-3		1/3	1150	4975	75	145	3829	3882	5129	5201	
	EHD24-1/2	EHD24-1/2-3		1/2	1725	6510	82	140	3508	3521	4439	4398	
	EHD24-3/4	EHD24-3/4-3		3/4	1725	6900	83	145	3788	3573	4731	4501	
	EHD24-1	EHD24-1-3		1	1725	7425	83	155	3892	3712	4791	4864	
	EHD24-2	EHD24-2-3		2	1725	9525	83	165	4909	4028	-----	5373	
30"	-----	EHD24-3-3	30"	3	1725	10500	85	170	-----	4378	-----	5813	
	EHD30-1/3	EHD30-1/3-3		36"	1/3	1150	6950	79	145	4192	4243	5488	5570
	EHD30-1/2	EHD30-1/2-3			1/2	1725	8980	89	135	3901	3918	4832	4791
	EHD30-3/4	EHD30-3/4-3			3/4	1150	10440	79	175	4994	4456	5756	5585
	-----	EHD30-1-3			1	870	10640	74	215	-----	5507	-----	-----
	EHD30-1 1/2	EHD30-1 1/2-3			1 1/2	1725	12000	89	165	4543	4319	7014	5652
EHD30-2	EHD30-2-3	2	1150		14000	82	215	-----	5149	-----	6677		
36"	-----	EHD30-3-3	42"	3	1725	16000	89	190	-----	4627	-----	6055	
	EHD36-1	EHD36-1-3		1	1150	13600	84	225	7190	5746	8637	6816	
	-----	EHD36-2-3		2	1150	17620	84	250	-----	5915	-----	7448	
	-----	EHD36-3-3		3	1150	20500	85	255	-----	6800	-----	8601	
	-----	EHD36-5-3		5	1725	28000	94	250	-----	5703	-----	7269	
42"	-----	EHD42-1-3	48"	1	870	15800	82	300	-----	6677	-----	-----	
	EHD42-2	EHD42-2-3		2	1150	17964	88	260	-----	6292	-----	7824	
	-----	EHD42-3-3		3	1150	24500	88	270	-----	7071	-----	8874	
	-----	EHD42-5-3		5	1150	28970	88	285	-----	7353	-----	9926	
48"	-----	EHD48-3-3	54"	3	1150	28600	92	290	-----	8532	-----	10338	
	-----	EHD48-5-3		5	1150	32000	94	305	-----	8938	-----	11516	
60"	-----	EHD60-3-3	66"	3	1150	40000	97	700	-----	10596	-----	12395	
	-----	EHD60-5-3		5	1150	45000	97	730	-----	11594	-----	14177	
	-----	EHD60-7 1/2-3		7 1/2	870	47000	92	740	-----	15227	-----	-----	
	-----	EHD60-10-3		10	870	57200	93	750	-----	20405	-----	-----	

Single Phase motors are field convertible 115V/230V. Three phase motors are field convertible 230V/460V. Motors are set to lower voltage at the factory, unless a request is made at time of order to set to the higher voltage.

Note: Products listed in this section are custom built and subject to 100% cancellation/restocking charges

*Not all EXP motors are 208V capable

Dimensions

SIZE	BLADE DIAMETER	PANEL SIZE	DEPTH DIMENSION
12"	12"	16"	11"
16"	16"	20"	11"
20"	20"	24"	13"
24"	24"	30"	15"
30"	30"	36"	15"
36"	36"	42"	18"
42"	42"	48"	18"
48"	48"	54"	20"
60"	60"	66"	22"

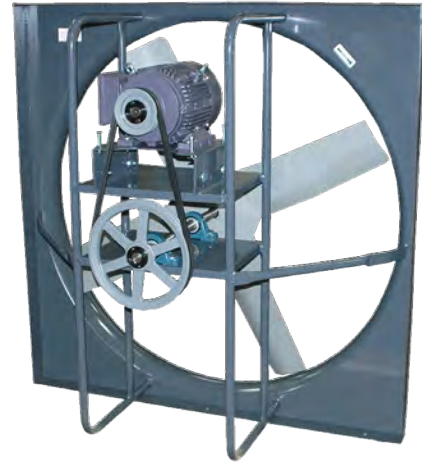
Note: Depth dimension varies with motor selection

Heavy Duty Belt Drive Exhaust Fans

Features

- Totally enclosed and explosion proof motors
 - Explosion proof motors are Class 1, Div 1 Group D and Class 2, Div 1, Groups F & G
- Fans are shipped completely assembled
- Heavy gauge steel blades on TEC models
- Cast aluminum blades on EXP explosion proof models
- 14 gauge steel panel with welded steel pipe bracing
- 1 year limited warranty
- For optimum shutter efficiency, mount shutter 1/3 the distance of the fan opening size.
Example: 36" fan shutter would be mounted 12" from the fan blade

⚠ WARNING: This product can expose you to chemicals including nickel which is known to the State of California to cause cancer, and chromium, which is known to the State of California to cause birth defects and/or reproductive harm. For more information go to www.P65Warnings.ca.gov.



Options

- CES Shutters
- Reversed Air Flow
- EMF Front Guards
- Flat Front Venturi
- IBG Rear Guards

Standard Models

BLADE SIZE	MFG MODEL NUMBER		PANEL SIZE (Sq.)	HP	RPM	CFM 0" SP	db's @ 10"	WT. (LBS)	LIST			
	1-PHASE	3-PHASE							TEC		EXP*	
	115/230V-60Hz	208/230/460v-60Hz							1 PH	3 PH	1 PH	3 PH
24"	EHB24-1/4	EHB24-1/4-3	30"	1/4	780	4900	60	100	3988	3969	5415	5520
	EHB24-1/2	EHB24-1/2-3		1/2	980	6219	66	130	4218	4234	5962	5911
	EHB24-3/4	EHB24-3/4-3		3/4	1140	7090	71	140	4508	4276	6262	6029
	EHB24-1	EHB24-1-3		1	1250	7180	73	140	4802	4618	6328	6414
30"	EHB30-1/4	EHB30-1/4-3	36"	1/4	540	7178	61	140	4252	4234	5955	6058
	EHB30-1/3	EHB30-1/3-3		1/3	595	7909	63	150	4327	4355	6211	6423
	EHB30-1/2	EHB30-1/2-3		1/2	640	8507	64	155	4439	4456	6493	6449
	EHB30-3/4	EHB30-3/4-3		3/4	770	10235	66	165	4826	4594	6887	6654
	EHB30-1	EHB30-1-3		1	975	10668	70	170	5072	4894	6944	7033
	EHB30-1 1/2	EHB30-1 1/2-3		1 1/2	1140	12473	77	180	5293	5056	8764	7391
36"	EHB36-1/3	EHB36-1/3-3	42"	1/3	460	9113	64	160	5030	5056	6758	6970
	EHB36-1/2	EHB36-1/2-3		1/2	530	10500	66	180	5151	5168	7192	7142
	EHB36-3/4	EHB36-3/4-3		3/4	605	11985	68	200	5482	5261	7525	7296
	EHB36-1	EHB36-1-3		1	665	13174	70	200	5520	5335	7537	7611
	EHB36-1 1/2	EHB36-1 1/2-3		1 1/2	720	13660	72	210	6219	5998	9551	8169
	EHB36-2	EHB36-2-3		2	870	16554	74	215	6869	6149	----	8468
42"	EHB42-1/3	EHB42-1/3-3	48"	1/3	335	10614	64	205	5234	5261	7391	7603
	EHB42-1/2	EHB42-1/2-3		1/2	390	12343	65	210	5345	5364	7645	7611
	EHB42-3/4	EHB42-3/4-3		3/4	435	14040	67	225	5698	5474	8092	7849
	EHB42-1	EHB42-1-3		1	490	15429	69	230	5773	5592	8097	8169
	EHB42-1 1/2	EHB42-1 1/2-3		1 1/2	550	17420	71	240	6006	5783	9944	8561
	EHB42-2	EHB42-2-3		2	725	20653	74	245	7117	6395	----	8940
	----	EHB42-3-3		3	830	23645	79	250	----	6605	----	9219
48"	EHB48-1/2	EHB48-1/2-3	54"	1/2	330	15230	69	190	6612	6628	9193	9151
	EHB48-3/4	EHB48-3/4-3		3/4	370	17339	70	195	6936	6713	9748	9518
	EHB48-1	EHB48-1-3		1	410	19188	71	235	6980	6800	9757	9844
	EHB48-1 1/2	EHB48-1 1/2-3		1 1/2	465	21731	72	245	7261	7040	11588	10202
	EHB48-2	EHB48-2-3		2	520	24274	74	250	8425	7706	----	10532
	----	EHB48-3-3		3	680	28150	80	270	----	7928	----	10845
	----	EHB48-5-3		5	800	33160	83	285	----	8021	----	11057
60"	EHB60-1	EHB60-1-3	66"	1	280	23090	76	380	9732	9551	13186	13272
	EHB60-1 1/2	EHB60-1 1/2-3		1 1/2	340	28068	77	390	9961	9742	15025	13647
	EHB60-2	EHB60-2-3		2	390	32200	78	395	10542	9835	----	13828
	----	EHB60-3-3		3	450	37183	84	410	----	10314	----	14281
	----	EHB60-5-3		5	540	44600	86	420	----	10391	----	14485

Single Phase motors are field convertible 115V/230V. Three phase motors are field convertible 230V/460V.

Motors are set to lower voltage at the factory, unless a request is made at time of order to set to the higher voltage.

Note: Products listed in this section are custom built and subject to 100% cancellation/restocking charges.

*Not all EXP motors are 208V capable.

Dimensions

SIZE	BLADE DIAMETER	PANEL SIZE	DEPTH DIMENSION
24"	24"	30"	16"
30"	30"	36"	16"
36"	36"	42"	18"
42"	42"	48"	20"
48"	48"	54"	21"
60"	60"	66"	26"

Note: Depth dimension varies with motor selection.

Cabinet Exhaust Fans With Shutters

Features

- 120V, 1-Phase or 230 / 460V, 3-Phase, ball bearing, permanently lubricated, drip proof motor - UL listed
- Permanently lubricated bearings on blade drive shaft
- Aluminum blade
- Aluminum shutter
- 20 gauge powder coated venturi
- 18 gauge galvanized steel housing
- 1725 RPM motor
- Motor frame size 56 / Shaft: $\frac{5}{8}$ "
- Ships fully assembled
- Meets OSHA Standards
- 1 year warranty
- Made in U.S.A.

⚠ WARNING: This product can expose you to chemicals including nickel which is known to the State of California to cause cancer, and chromium, which is known to the State of California to cause birth defects and/or reproductive harm. For more information go to www.P65Warnings.ca.gov.



Standard Models

SIZE	MOTOR HP	AMPS		CFM	WT. (LBS)	115V 1-PHASE			230 / 460V 3-PHASE		
		115V	230/460V			MFG CATALOG NUMBER	MFG MODEL NUMBER	LIST	MFG CATALOG NUMBER	MFG MODEL NUMBER	LIST
24	1/3	5	1.9 / .9	10,000	100	08683902	CBT-24B	2359	08685202	CBT-24B-3	2508
30	1/3	6	1.9 / .9	11,600	120	08684002	CBT-30B	2656	08685302	CBT-30B-3	2849
36	1/2	8	2.3 / 1.1	14,000	135	08684102	CBT-36B	2997	08685402	CBT-36B-3	3244
42	3/4	11	3.3 / 1.5	17,500	155	08684202	CBT-42B	3687	08685502	CBT-42B-3	3977
48	1	15	3.8 / 1.9	23,500	200	08685102	CBT-48B	4568	08685002	CBT-48B-3	4864

Dimensions

SIZE	OUTSIDE DIMENSIONS			MAXIMUM REQUIRED INSIDE WALL OPENING
	HEIGHT	WIDTH	DEPTH	
24"	28 $\frac{1}{4}$ "	28 $\frac{1}{4}$ "	22 $\frac{1}{2}$ "	28 $\frac{3}{4}$ " x 28 $\frac{3}{4}$ "
30"	34 $\frac{1}{4}$ "	34 $\frac{1}{4}$ "	22 $\frac{1}{2}$ "	34 $\frac{1}{2}$ " x 34 $\frac{1}{2}$ "
36"	40 $\frac{1}{4}$ "	40 $\frac{1}{4}$ "	18 $\frac{1}{2}$ "	40 $\frac{1}{2}$ " x 40 $\frac{1}{2}$ "
42"	48 $\frac{1}{2}$ "	48 $\frac{1}{2}$ "	18 $\frac{1}{2}$ "	48 $\frac{3}{4}$ " x 48 $\frac{3}{4}$ "
48"	54 $\frac{1}{2}$ "	54 $\frac{1}{2}$ "	21 $\frac{1}{2}$ "	54 $\frac{3}{4}$ " x 54 $\frac{3}{4}$ "

Exhaust Fan Accessories - Heavy Duty Exhaust Shutter

Features

- Air open - Gravity close
- Aluminum construction
- Heavy duty blades
- Weather stripping for tighter seal
- For optimum shutter efficiency, mount shutter $\frac{1}{3}$ the distance of the fan opening size. Example: 36" fan shutter would be mounted 12" from the fan blade
- Shutter should be sized to fit exhaust opening
- For IE, IED, EHB and EHD models



WARNING: This product can expose you to chemicals including nickel which is known to the State of California to cause cancer, and chromium, which is known to the State of California to cause birth defects and/or reproductive harm. For more information go to www.P65Warnings.ca.gov.

Standard Models

FAN SIZE	MFG CATALOG NUMBER	MFG MODEL NUMBER	INSIDE FRAME DIMENSIONS	OUTSIDE FRAME DIMENSIONS	WT. (LBS)	LIST
12"	07983302	CES 12-HD	12" x 12"	14" x 15"	4	218
16"	08709102	CES 16-HD	16" x 16"	19" x 19"	7	262
18"	08518902	CES 18-HD	18" x 18"	21" x 21"	8	301
20"	08696602	CES 20-HD	20" x 20"	23" x 23"	9	308
24"	08757202	CES 24-HD	24" x 24"	27" x 27"	11	375
30"	08757302	CES 30-HD	30" x 30"	33" x 33"	15	458
36"	08757402	CES 36-HD	36" x 36"	39" x 39"	19	803
42"	08757502	CES 42-HD	42" x 42"	45" x 45"	23	1021
48"	08757602	CES 48-HD	48" x 48"	51" x 51"	28	1176
54"	08775102	CES 54-HD	54" x 54"	57" x 57"	39	1329
60"	07998702	CES 60-HD	60" x 60"	63" x 63"	47	1632

Heavy Duty Shutter Motor Kit Features



- Used to open shutter when shutter is used to provide make-up air
(Shutter should be one size larger than exhaust fan size and should be located on opposite wall)
- Used for positive closure of exhaust shutter
- 115V or 230V, 60 HZ, 1-Phase

Standard Models

MFG CATALOG NUMBER	MFG MODEL NUMBER	DESCRIPTION	WT. (LBS)	LIST
07971002	MK-1	For shutter sizes 12" thru 30" (Single Panel)	5	606
07971102	MK-2	For shutter sizes 36" thru 48" (Double Panel)	8	803
08777102	MK-3	For shutter sizes 54" thru 72" (Double Panel)	12	1033

Motorized Supply Air Intake Shutter

Features

- Inward opening blades for use with intake fans when shutter is located directly in air stream
- Galvanized construction
- 115V or 230V, 60 HZ, 1-Phase
- For IE, IED, EHB and EHD models

Standard Models

FAN SIZE	MFG CATALOG NUMBER	MFG MODEL NUMBER	ROUGH OPENING	OVERALL SIZE	WT. (LBS)	LIST
24"	08516902	CESM-24	24" x 24"	27" x 27"	15	1552
30"	08007102	CESM-30	30" x 30"	33" x 33"	18	1811
36"	08004602	CESM-36	36" x 36"	39" x 39"	21	1979
42"	08517202	CESM-42	42" x 42"	45" x 45"	35	3231
48"	07997202	CESM-48	48" x 48"	51" x 51"	42	4565
60"	07983002	CESM-60	60" x 60"	63" x 63"	56	5382



WARNING: This product can expose you to chemicals including nickel which is known to the State of California to cause cancer, and chromium, which is known to the State of California to cause birth defects and/or reproductive harm. For more information go to www.P65Warnings.ca.gov.

Rear Box Guard Bolt Together With Wire Guards



⚠ WARNING: This product can expose you to chemicals including nickel which is known to the State of California to cause cancer, and chromium, which is known to the State of California to cause birth defects and/or reproductive harm. For more information go to www.P65Warnings.ca.gov.

Features

- For IE, IED, EHB and EHD models
- ¼" Smaller than the panel size of the fan
- Meets OSHA requirements

Standard Models

MFG MODEL NUMBER	FITS FAN SIZE	LIST
IBG-24	24"	1358
IBG-30	30"	1431
IBG-36	36"	1720
IBG-42	42"	1805
IBG-48	48"	2212
IBG-60	60"	3413

Rear Expanded Metal Box Guard



⚠ WARNING: This product can expose you to chemicals including nickel which is known to the State of California to cause cancer, and chromium, which is known to the State of California to cause birth defects and/or reproductive harm. For more information go to www.P65Warnings.ca.gov.

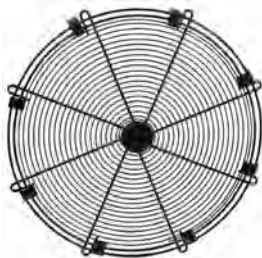
Features

- For IE, IED, EHB and EHD models
- ¼" Smaller than the panel size of the fan
- Meets OSHA requirements

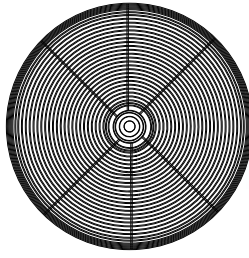
Standard Models

MFG MODEL NUMBER	FITS FAN SIZE	LIST
IBG-12	12"	833
IBG-16	16"	833
IBG-18	18"	923
IBG-20	20"	923

Spiral Front and Rear Guards



Spiral Front



Spiral Rear

⚠ WARNING: This product can expose you to chemicals including nickel which is known to the State of California to cause cancer, and chromium, which is known to the State of California to cause birth defects and/or reproductive harm. For more information go to www.P65Warnings.ca.gov.

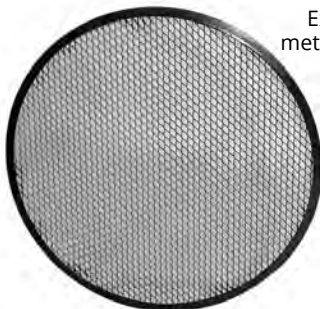
Features

- For EHD models only
- Fits between motor and blade
- Rear guard installed at factory only
- Meets OSHA requirements

Standard Models

MFG MODEL NUMBER	TYPE	FITS FAN SIZE	LIST
SF-12	SPIRAL FRONT	12"	457
SF-16		16"	491
SF-18		18"	544
SF-20		20"	556
SF-24		24"	600
SR-12	SPIRAL REAR	12"	474
SR-16		16"	504
SR-18		18"	556
SR-20		20"	576
SR-24		24"	619

Expanded Metal Front Guard



Expanded metal guard 60"

⚠ WARNING: This product can expose you to chemicals including nickel which is known to the State of California to cause cancer, and chromium, which is known to the State of California to cause birth defects and/or reproductive harm. For more information go to www.P65Warnings.ca.gov.

Features

- For EHB, EHD, IE, & IED models
- 1" Larger than blade size
- Meets OSHA requirements

Standard Models

MFG MODEL NUMBER	FITS FAN SIZE	LIST
EMF-12	12"	547
EMF-16	16"	567
EMF-20	20"	599
EMF-24	24"	628
EMF-30	30"	795
EMF-36	36"	983
EMF-42	42"	1034
EMF-48	48"	1129
EMF-60	60"	1703

Cabinet Exhaust Fan Package Option

With Bolt Together Rear Guard

Package Includes

- Wall collar
- Automatic shutter
- Rear box guard

Features

- For IE, IED, EHB and EHD models
- Wall collar OD is ¼" larger than fan panel size
- Meets OSHA requirements

Standard Models

MFG MODEL NUMBER	FAN SIZE	LIST
CEFP-24	24"	2424
CEFP-30	30"	2737
CEFP-36	36"	3399
CEFP-42	42"	3907
CEFP-48	48"	4664



⚠ WARNING: This product can expose you to chemicals including nickel which is known to the State of California to cause cancer, and chromium, which is known to the State of California to cause birth defects and/or reproductive harm. For more information go to www.P65Warnings.ca.gov.

With Expanded Metal Rear Guard

Package Includes

- Wall collar
- Automatic shutter
- Rear box guard

Features

- For IE, IED, EHB and EHD models
- Wall collar OD is ¼" larger than fan panel size
- Meets OSHA requirements

Standard Models

MFG MODEL NUMBER	FAN SIZE	LIST
CEFP-12	12"	1517
CEFP-16	16"	1620
CEFP-18	18"	1829
CEFP-20	20"	1898
CEFP-60	60"	7003



⚠ WARNING: This product can expose you to chemicals including nickel which is known to the State of California to cause cancer, and chromium, which is known to the State of California to cause birth defects and/or reproductive harm. For more information go to www.P65Warnings.ca.gov.

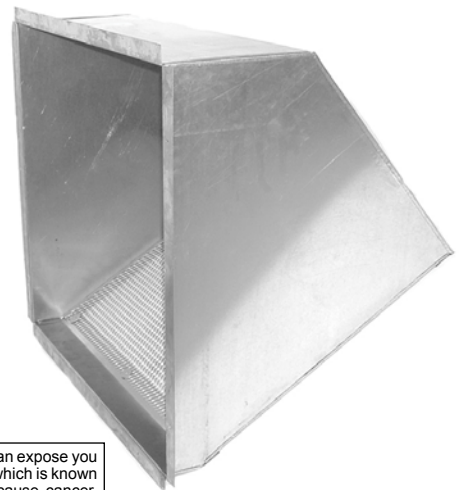
Exterior Weather Hood Option

Features

- For IE, IED, EHB and EHD models.
- Galvanized housing with ½ - 16 expanded metal bird screen
- Can be used for intake or exhaust
- Meets OSHA requirements

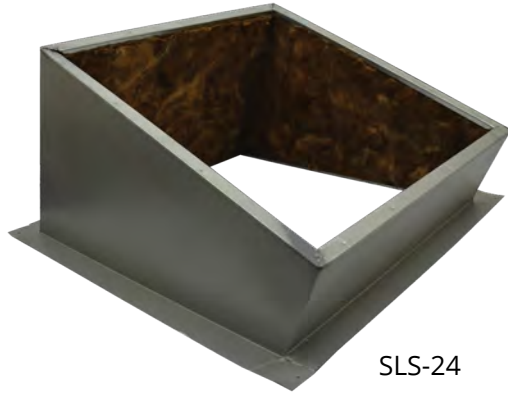
Standard Models

MFG MODEL NUMBER	FAN SIZE	LIST
WH-12	12"	1525
WH-16	16"	1590
WH-18	18"	1625
WH-20	20"	1652
WH-24	24"	2348
WH-30	30"	2445
WH-36	36"	3034
WH-42	42"	3152
WH-48	48"	3647
WH-60	60"	4877



⚠ WARNING: This product can expose you to chemicals including nickel which is known to the State of California to cause cancer, and chromium, which is known to the State of California to cause birth defects and/or reproductive harm. For more information go to www.P65Warnings.ca.gov.

Insulated Roof Curbs



SLS-24

Features

- Used with UEB, UED, and RE roof ventilators
- For flat, single slope or ridge style roofs
- Galvanized steel construction
- 1-1/2" insulated thickness, 3 pounds density
- 8" height overall
- Not for corrugated roofs

⚠ WARNING: This product can expose you to chemicals including nickel which is known to the State of California to cause cancer, and chromium, which is known to the State of California to cause birth defects and/or reproductive harm. For more information go to www.P65Warnings.ca.gov.

Standard Models

FAN	MFG MODEL NUMBER			BASE DIMENSION	OVERALL DIMENSION	LIST		
	FLAT	SLOPE	RIDGE			FLAT	SLOPE	RIDGE
18"	FLS-18	SLS-18	RDS-18	32" x 32"	44" x 44"	726	1401	1652
24"	FLS-24	SLS-24	RDS-24	38" x 38"	50" x 50"	839	1603	1881
30"	FLS-30	SLS-30	RDS-30	44" x 44"	56" x 56"	948	1796	2122
36"	FLS-36	SLS-36	RDS-36	50" x 50"	62" x 62"	1034	1969	2267
42"	FLS-42	SLS-42	RDS-42	56" x 56"	68" x 68"	1140	2160	2558
48"	FLS-48	SLS-48	RDS-48	62" x 62"	74" x 74"	1534	2904	3442
54"	FLS-54	SLS-54	RDS-54	68" x 68"	80" x 80"	1672	3156	3736
60"	FLS-60	SLS-60	RDS-60	74" x 74"	86" x 86"	1815	3434	4063

Back Draft Dampers to Fit in Curb

UEB and UED models require higher curb height when used with back draft damper; consult factory

FAN SIZE	MFG MODEL NUMBER	SHUTTER SIZE	LIST
18"	CD-18	28" x 28"	961
24"	CD-24	34" x 34"	1123
30"	CD-30	40" x 40"	1548
36"	CD-36	46" x 46"	1912
42"	CD-42	52" x 52"	2111
48"	CD-48	58" x 58"	2562
54"	CD-54	64" x 64"	3213
60"	CD-60	70" x 70"	3492

Motor Kit for Dampers

115V or 230V, 60Hz, 1-Phase. (Specify Voltage)

MFG MODEL NUMBER	DESCRIPTION	WT. (LBS)	LIST
DMKP1	For shutter sizes 18" thru 36"	5	878
DMKP2	For shutter sizes 42" thru 60"	8	1047

Belt Drive Hooded Roof Ventilators



CLOSED

WARNING: This product can expose you to chemicals including nickel which is known to the State of California to cause cancer, and chromium, which is known to the State of California to cause birth defects and/or reproductive harm. For more information go to www.P65Warnings.ca.gov.



OPEN

Features

- Used for exhaust or intake
- Heavy industrial steel base with aluminum hood
- Steel blades
- Bird screen included
- No back draft protection in standard construction dampers offered as optional accessory
- 1 year limited warranty

Options

- Direct drive
- Protective coatings
- Roof curb
- Filters

Dimensions

SIZE	MINIMUM ROOF HOLE (SQUARE)	HOLE LENGTH x WIDTH	HOOD HEIGHT	ROOF CURB O.D. (SQUARE)
24"	30"	54" x 64"	30"	39"
30"	36"	60" x 76"	36"	45"
36"	42"	72" x 82"	40"	51"
42"	48"	80" x 89"	43"	57"
48"	54"	87" x 95"	46"	63"
54"	60"	92" x 98"	54"	69"
60"	66"	90" x 107"	56"	75"

Standard Models

BLADE SIZE	1-PHASE 115/230V	3-PHASE 208/230/460v	HP	RPM	C.F.M. - STATIC PRESSURE				Db's @ 10'	WT. (LBS)	LIST			
					MFG MODEL NUMBER						EXHAUST		INTAKE	
					0"	1/8"	1/4"	1/2"			1 PH	3 PH	1 PH	3 PH
24"	RE24-1/4	RE24-1/4-3	1/4	780	4900	4222	2807	800	60	340	9142	9103	9142	9103
	RE24-1/2	RE24-1/2-3	1/2	980	6219	5716	5061	2600	66	350	9473	9375	9473	9375
	RE24-3/4	RE24-3/4-3	3/4	1140	7090	6648	6144	4413	71	360	9676	9524	9676	9524
	RE24-1	RE24-1-3	1	1250	7180	6696	6271	4464	73	365	10202	9911	10202	9911
30"	RE30-1/3	RE30-1/3-3	1/3	595	7909	6380	3617	767	60	385	10611	10553	10611	10553
	RE30-1/2	RE30-1/2-3	1/2	640	8507	7170	4486	1373	64	385	10774	10677	10774	10677
	RE30-3/4	RE30-3/4-3	3/4	770	10235	9192	7657	3833	66	400	11145	10990	11145	10990
	RE30-1	RE30-1-3	1	975	10668	9959	8626	5184	70	400	11514	11221	11514	11221
36"	RE30-1 1/2	RE30-1 1/2-3	1.5	1140	12473	11867	11112	8135	77	410	11747	11310	11747	11310
	RE36-1/3	RE36-1/3-3	1/3	460	9113	6992	3722	486	64	425	12858	12798	12858	12798
	RE36-1/2	RE36-1/2-3	1/2	530	10500	8821	5985	2084	66	425	13014	12914	13014	12914
	RE36-3/4	RE36-3/4-3	3/4	605	11985	10583	8563	4017	68	435	13273	13120	13273	13120
	RE36-1	RE36-1-3	1	665	13174	11932	10299	5729	70	440	13574	13282	13574	13282
	RE36-1 1/2	RE36-1 1/2-3	1.5	720	13660	12012	9579	5000	72	440	14108	13623	14108	13623
42"	RE36-2	RE36-2-3	2	870	16554	15376	14088	9691	74	455	15159	14336	15159	14336
	RE42-1/2	RE42-1/2-3	1/2	390	12343	9352	4957	1642	65	540	14422	14323	14422	14323
	RE42-3/4	RE42-3/4-3	3/4	435	14040	11530	7633	3311	67	545	14928	14773	14928	14773
	RE42-1	RE42-1-3	1	490	15429	13194	10438	4668	69	555	15228	14937	15228	14937
	RE42-1 1/2	RE42-1 1/2-3	1.5	550	17420	15421	13117	7289	71	560	15530	15045	15530	15045
	RE42-2	RE42-2-3	2	725	20653	19128	17503	11319	74	570	16474	15656	16474	15656
48"	-----	RE42-3-3	3	830	23645	22296	20984	17290	79	585	----	15853	----	15853
	RE48-3/4	RE48-3/4-3	3/4	370	17339	13700	7389	2244	70	650	17505	17350	17505	17350
	RE48-1	RE48-1-3	1	410	19188	16078	10903	4037	71	660	17815	17523	17815	17523
	RE48-1 1/2	RE48-1 1/2-3	1.5	465	21731	19010	14991	7081	72	665	18087	17603	18087	17603
	RE48-2	RE48-2-3	2	520	24274	21943	19080	10125	74	680	19128	18300	19128	18300
	-----	RE48-3-3	3	680	28150	25683	23615	16930	80	700	----	18532	----	18532
54"	-----	RE48-5-3	5	800	33160	30900	29290	25000	83	720	----	18680	----	18680
	RE54-1	RE54-1-3	1	410	23130	20588	17500	9600	73	910	21197	20904	21197	20904
	RE54-1 1/2	RE54-1 1/2-3	1.5	450	25400	22600	19300	10316	75	920	21625	21140	21625	21140
	RE54-2	RE54-2-3	2	480	27200	24312	20660	11010	76	930	22171	21344	22171	21344
	-----	RE54-3-3	3	550	31213	28722	25830	15420	77	940	----	21733	----	21733
60"	-----	RE54-5-3	5	660	37458	35238	32893	26538	80	960	----	21897	----	21897
	RE60-1	RE60-1-3	1	250	23090	19161	12850	----	76	1150	22306	22016	22306	22016
	RE60-1 1/2	RE60-1 1/2-3	1.5	340	28068	23283	15624	8000	77	1150	23163	22675	23163	22675
	RE60-2	RE60-2-3	2	390	32200	26710	17924	9380	78	1200	23670	22842	23670	22842
	-----	RE60-3-3	3	450	37183	32356	25324	15013	84	1220	----	23242	----	23242
60"	-----	RE60-5-3	5	540	44600	41232	35819	23237	86	1240	----	23386	----	23386
	-----	RE60-7 1/2-3	7.5	620	50184	47603	43981	32880	89	1285	----	24211	----	24211

Note: Products listed in this section are custom built and subject to 100% cancellation/restocking charges

Direct Drive Roof Ventilators



Features

- Cast aluminum blades on most models
- Totally enclosed and explosion proof motors
- 1-Phase motors are field convertible 115V/230V
- 3-Phase motors are field convertible 230V/460V
- Motors are set to lower voltage at the factory unless a request is made at time of order to set them to the higher voltage
- Explosion proof motors are Class 1, Div 1, Group D and Class 2, Div 1, Groups F & G
- Wind band is 18 gauge galvanized steel
- Rubber shim under dampers for better seal
- Size of roof opening to be 6" larger than fan size
- Some models available with low R.P.M. motor for quieter operation
- 1 year limited warranty

WARNING: This product can expose you to chemicals including nickel which is known to the State of California to cause cancer, and chromium, which is known to the State of California to cause birth defects and/or reproductive harm. For more information go to www.P65Warnings.ca.gov.

Options

- Protective coating
- Prefabricated curbs
- Disconnect switch

Standard Models

BLADE SIZE	1-PHASE 115/230V	3-PHASE 208/230/460v	HP	RPM	C.F.M - STATIC PRESSURE				Db's @ 10'	WT. (LBS)	LIST			
					MFG MODEL NUMBER						TEC		EXP*	
					0"	1/8"	1/4"	1/2"			1 PH	3 PH	1 PH	3 PH
18"	UED18-1/4	UED18-1/4-3	1/4	1140	2570	2263	1673	854	66	170	6808	6837	7269	7663
	UED18-1/3	UED18-1/3-3	1/3	1725	3375	3000	2600	1400	75	175	6300	6287	7280	7490
	UED18-1/2	UED18-1/2-3	1/2	1725	4133	3938	3724	3132	76	180	6468	6442	7460	7643
	UED18-1	UED18-1-3	1	1725	4600	4375	4080	3000	77	190	7211	7055	8218	8297
24"	UED24-1/4	UED24-1/4-3	1/4	1725	5200	4200	2820	----	75	240	7044	7078	7508	7901
	UED24-3/4	UED24-3/4-3	3/4	1140	6900	6450	6265	3300	76	260	8528	8181	9506	9430
	UED24-1	UED24-1-3	1	1725	7425	7000	6350	5000	83	280	7690	7556	8708	8804
	-----	UED24-3-3	3	1725	10500	9800	9500	8700	85	295	----	8113	----	9642
30"	UED30-3/4	UED30-3/4-3	3/4	1140	10440	9750	8750	6000	79	310	8928	8341	9911	9845
	-----	UED30-1-3	1	870	10800	10100	9100	6360	74	330	----	9698	----	----
	UED30-1 1/2	UED30-1 1/2-3	1.5	1140	10410	9686	8834	6420	81	325	12350	9143	----	10410
	UED30-2	UED30-2-3	2	1140	14000	13750	12900	10450	82	335	14888	9364	----	10718
	-----	UED30-3-3	3	1725	16000	15350	14700	12900	89	335	-----	8548	----	10084
36"	UED36-2	UED36-2-3	2	1140	17620	16500	15200	12300	84	430	16561	11093	----	12448
	-----	UED36-3-3	3	1140	20500	19500	18500	15850	85	455	----	11764	----	13987
	-----	UED36-5-3	5	1140	22600	21700	20500	19000	87	465	----	12557	----	15062
42"	UED42-2	UED42-2-3	2	1140	17964	17277	15326	12351	88	500	17686	12242	----	13593
	-----	UED42-5-3	5	1140	28970	27960	26840	24200	89	500	----	13648	----	16149
48"	-----	UED48-3-3	3	1140	28600	26500	24400	20000	92	550	----	14733	----	16227
	-----	UED48-5-3	5	870	33000	31500	29750	25300	86	665	----	17588	----	----
	-----	UED48-7 1/2-3	7.5	1140	37000	35100	32800	28000	94	740	----	17668	----	20857
	-----	UED48-10-3	10	1140	41000	39200	38300	35400	95	875	----	18599	----	21992
60"	-----	UED60-5-3	5	870	45200	41500	37000	26000	90	940	----	23243	----	----
	-----	UED60-7 1/2-3	7.5	870	47000	45500	43600	38700	92	950	----	24865	----	----

Note: Products listed in this section are custom built and subject to 100% cancellation/restocking charges

*Not all EXP motors are 208v capable

Dimensions

SIZE	MINIMUM ROOF HOLE SIZE (SQUARE)	WIND BAND OUTER DIMENSION	ROOF CURB OUTER DIMENSION (SQUARE)	WIND BAND HEIGHT
18"	28"	24"	33"	16"
24"	34"	30"	39"	19"
30"	40"	36"	45"	22"
36"	46"	42"	51"	25"
42"	52"	48"	57"	27"
48"	58"	54"	63"	30"
60"	70"	66"	75"	42"

Belt Drive Roof Ventilators

Features

- Standard blades are heavy gauge steel
- Totally enclosed motors
- 1-Phase motors are field convertible 115V/230V
- 3-Phase motors are field convertible 230V/460V
- Motors are set to lower voltage at factory unless a request is made at time of order to set them to the higher voltage
- Wind band is 18 gauge galvanized steel
- Galvanized steel butterfly damper with rubber stops and seals
- Size of the roof opening to be 6" larger than fan size (Wind Band O.D.) dimension
- 1 year limited warranty



WARNING: This product can expose you to chemicals including nickel which is known to the State of California to cause cancer, and chromium, which is known to the State of California to cause birth defects and/or reproductive harm. For more information go to www.P65Warnings.ca.gov.

Options

- Protective coating
- Prefabricated curbs
- Disconnect switch

Standard Models

BLADE SIZE	1-PHASE 115/230V	3-PHASE 208/230/460v	HP	RPM	C.F.M - STATIC PRESSURE				Db's @ 10'	WT. (LBS)	LIST	
					MFG MODEL NUMBER						TEC	
					0"	1/8"	1/4"	1/2"			1 PH	3 PH
24"	UEB24-1/3	UEB24-1/3-3	1/3	780	4900	4222	2807	800	64	300	7653	7643
	UEB24-1/2	UEB24-1/2-3	1/2	980	6219	5716	5661	2600	66	305	7883	7856
	UEB24-3/4	UEB24-3/4-3	3/4	1140	7090	6648	6144	4413	71	310	8152	8010
30"	UEB30-1/2	UEB30-1/2-3	1/2	640	8507	7170	4486	1373	64	350	8250	8218
	UEB30-3/4	UEB30-3/4-3	3/4	770	10235	9192	7657	3833	66	360	8691	8536
	UEB30-1	UEB30-1-3	1	975	10668	9959	8626	5184	70	370	9258	9169
36"	UEB36-1/2	UEB36-1/2-3	1/2	530	10500	8821	5985	2084	66	360	9747	9720
	UEB36-3/4	UEB36-3/4-3	3/4	605	11985	10583	8563	4017	68	370	10295	10141
	UEB36-1	UEB36-1-3	1	665	13174	11932	10299	5729	70	390	10678	10638
42"	UEB36-1 1/2	UEB36-1 1/2-3	1.5	720	13660	12012	9579	5000	72	395	11118	10941
	UEB42-3/4	UEB42-3/4-3	3/4	435	14040	11530	7633	3311	67	455	11219	11064
	UEB42-1	UEB42-1-3	1	490	15429	13194	10438	4668	69	465	11690	11671
	UEB42-1 1/2	UEB42-1 1/2-3	1.5	550	17420	15421	13117	7289	71	470	12382	12199
48"	UEB42-2	UEB42-2-3	2	725	20653	19128	17503	11319	74	485	13266	12776
	-----	UEB42-3-3	3	830	23645	22296	20984	17290	79	495	----	12958
	UEB48-3/4	UEB48-3/4-3	3/4	370	17339	13700	7389	2244	70	505	12975	12831
	UEB48-1	UEB48-1-3	1	410	19188	16078	10903	4037	71	520	13369	13275
	UEB48-1 1/2	UEB48-1 1/2-3	1.5	465	21731	19010	14991	7081	72	535	13600	13455
54"	UEB48-2	UEB48-2-3	2	520	24274	21943	19080	10125	74	545	14874	14419
	-----	UEB48-3-3	3	680	28150	25683	23615	16930	80	560	----	14659
	UEB54-1	UEB54-1-3	1	410	23130	20588	17500	9600	73	870	18150	17995
	UEB54-1 1/2	UEB54-1 1/2-3	1.5	450	25400	22600	19300	10316	75	880	18560	18400
	UEB54-2	UEB54-2-3	2	480	27200	24312	20660	11010	76	890	19080	18656
60"	-----	UEB54-3-3	3	550	31213	28722	25830	15420	80	900	----	19321
	-----	UEB54-5-3	5	660	37458	35238	32843	26538	82	920	----	19532
	UEB60-1 1/2	UEB60-1 1/2-3	1.5	340	28068	23203	15624	8000	78	940	19753	19589
	UEB60-2	UEB60-2-3	2	390	32200	26710	17924	9380	80	960	20186	19772
60"	-----	UEB60-3-3	3	450	37183	32356	25324	15013	84	985	----	20798
	-----	UEB60-5-3	5	540	44600	41232	35819	23237	86	1000	----	20992

Note: Products listed in this section are custom built and subject to 100% cancellation/restocking charges

Dimensions

SIZE	MINIMUM ROOF HOLE SIZE (SQUARE)	WIND BAND OUTER DIMENSION	ROOF CURB OUTER DIMENSION (SQUARE)	WIND BAND HEIGHT
24"	34"	30"	39"	19"
30"	40"	36"	45"	22"
36"	46"	42"	51"	25"
42"	52"	48"	57"	27"
48"	58"	54"	63"	30"
54"	64"	60"	69"	36"
60"	70"	66"	75"	42"

Tubeaxial Direct Drive Duct Fans



Features

- Totally enclosed and explosion proof motors
- 1-Phase motors are field convertible 115V/230V
- 3-Phase motors are field convertible 230V/460V
- Motors are set to lower voltage at the factory unless a request is made at time of order to set them to the higher voltage
- Explosion proof motors are Class 1, Div 1, Group D and Class 2, Div 1, Groups F & G
- 14 gauge steel drum including mounting flanges
- Fan can be mounted to operate in any position
- Rugged cast aluminum blade, non-sparking
- 1 year limited warranty

Dimensions

SIZE	HOUSING I.NNER DIM.	HOUSING OUTER DIM.	BOLT HOLE CENTERS	HOUSING DEPTH
12"	12"	14"	13 1/8"	14"
18"	18"	20"	19 1/8"	14"
24"	24"	27"	25 3/4"	18"
27"	27"	30"	28 3/4"	18"
30"	30"	33"	31 3/4"	18"
34"	34"	37"	35 3/4"	18"
42"	42"	45"	43 9/16"	18"
48"	48"	51"	49 5/8"	18"

⚠ WARNING: This product can expose you to chemicals including nickel which is known to the State of California to cause cancer, and chromium, which is known to the State of California to cause birth defects and/or reproductive harm. For more information go to www.P65Warnings.ca.gov.

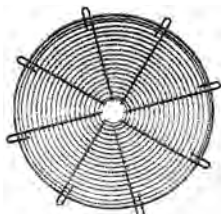
Options

- Companion flanges
- Fan guards
- Protective coating
- Access doors

Standard Models

BLADE SIZE	1-PHASE 115/230V	3-PHASE 230/460v	HP	RPM	BLADES	C.F.M - STATIC PRESSURE				Db's @ 10'	WT. (LBS)	LIST			
						MFG MODEL NUMBER						TEC		EXP	
						0"	1/4"	1/2"	3/4"			1 PH	3 PH	1 PH	3 PH
12"	TXD12-1/4	TXD12-1/4-3	1/4	1725	4	1180	520	----	----	77	40	2436	2411	3031	3133
	TXD12-1/2	TXD12-1/2-3	1/2	3450	4	1875	1400	1250	1100	82	45	2506	2497	3385	3765
	TXD12-3/4	TXD12-3/4-3	3/4	3450	6	2044	1920	1650	1500	83	45	2598	2598	3614	3892
18"	TXD18-1/4	TXD18-1/4-3	1/4	1725	4	3450	2500	----	----	74	55	2879	2851	3468	3568
	TXD18-1/3	TXD18-1/3-3	1/3	1725	6	3375	2600	1400	----	75	65	3020	3045	3789	4003
	TXD18-1/2	TXD18-1/2-3	1/2	1725	6	4150	3150	1700	----	77	65	3138	3156	4054	3960
	TXD18-1	TXD18-1-3	1	1725	6	4600	4080	3000	2100	80	70	3539	3366	4415	4492
24"	TXD24-1/4	TXD24-1/4-3	1/4	1725	2	5200	2820	----	----	80	95	3156	3138	3749	3772
	TXD24-1/3	TXD24-1/3-3	1/3	1140	6	4975	4250	2850	----	74	110	3798	3859	5181	5152
	TXD24-1/2	TXD24-1/2-3	1/2	1725	4	6510	5200	3100	1800	80	115	3488	3503	4400	4306
	TXD24-3/4	TXD24-3/4-3	3/4	1140	6	6900	6265	3300	----	74	125	4709	4190	5457	5285
	TXD24-1	TXD24-1-3	1	1725	6	7425	6350	5000	3300	82	120	3865	3689	4746	4824
	TXD24-2	TXD24-2-3	2	1725	6	9525	8810	7980	6960	84	120	4679	3984	6519	5293
27"	-----	TXD24-3-3	3	1725	6	10500	9500	8700	7800	86	130	----	4331	----	5726
	TXD27-1/2	TXD27-1/2-3	1/2	1725	4	7550	6000	4000	2000	86	125	3809	3816	4709	4617
	TXD27-1	TXD27-1-3	1	1725	4	9600	8400	7050	4800	86	155	4126	3960	5007	5083
	TXD27-2	TXD27-2-3	2	1725	6	11500	10700	9300	8000	86	165	5032	4340	6873	5650
30"	TXD30-1/2	TXD30-1/2-3	1/2	1725	4	8980	6300	4350	2300	86	130	3960	3976	4875	4780
	TXD30-3/4	TXD30-3/4-3	3/4	1140	6	10440	8750	6000	----	80	150	5323	4796	6073	5918
	TXD30-2	TXD30-2-3	2	1725	6	12000	10450	8700	6000	89	155	5177	4482	7019	5791
34"	-----	TXD30-3-3	3	1725	6	16000	14700	12900	10200	89	175	----	4687	----	6089
	TXD34-1 1/2	TXD34-1 1/2-3	1.5	1725	4	13350	10000	7300	----	88	175	5323	5100	7737	6405
	TXD34-2	TXD34-2-3	2	1725	4	14850	12100	8800	4000	89	200	5893	5202	7737	6514
	-----	TXD34-3-3	3	1140	3	19300	17230	14800	11614	86	250	----	6737	----	8507
36"	-----	TXD34-5-3	5	1725	6	21000	18900	17500	14850	91	220	----	5538	----	7081
	TXD36-2	TXD36-2-3	2	1140	6	17620	15200	12300	8500	84	210	----	5776	----	7283
	-----	TXD36-3-3	3	1725	4	18500	15700	13900	11500	89	230	----	6430	----	8193
42"	-----	TXD42-1-3	1	870	4	15800	13480	5800	900	81	270	----	6986	----	----
	TXD42-2	TXD42-2-3	2	1140	4	17964	15326	12351	7600	87	260	----	6580	----	8075
	-----	TXD42-3-3	3	1140	4	24500	23000	19650	14000	87	260	----	7372	----	9142
	-----	TXD42-5-3	5	1140	4	28970	26840	24200	19500	87	300	----	7645	----	10173
48"	-----	TXD48-3-3	3	1140	4	28600	24400	20000	15900	94	290	----	9193	----	10959
	-----	TXD48-5-3	5	870	4	33000	29750	25300	18000	86	500	----	11687	----	----

Duct Fan Guards



Features

- Enamel finish
- Can be used as front or rear guards. (Rear guard for TXD models must be ordered with fan)

⚠ WARNING: This product can expose you to chemicals including nickel which is known to the State of California to cause cancer, and chromium, which is known to the State of California to cause birth defects and/or reproductive harm. For more information go to www.P65Warnings.ca.gov.

Standard Models

FAN SIZE	MFG MODEL	LIST	FAN SIZE	MFG MODEL	LIST
12"	TXG-12	209	30"	TXG-30	284
15"	TXG-15	209	34"	TXG-34	361
18"	TXG-18	209	36"	TXG-36	374
24"	TXG-24	228	42"	TXG-42	410
27"	TXG-27	284	48"	TXG-48	535

Note: Products listed in this section are custom built and subject to 100% cancellation/restocking charges

Attic Fans

Power Attic Mount Dome Ventilator



WARNING: This product can expose you to chemicals including nickel which is known to the State of California to cause cancer, and chromium, which is known to the State of California to cause birth defects and/or reproductive harm. For more information go to www.P65Warnings.ca.gov.

Features

- 120V Motor / 1-Phase
- Automatic thermostat (60°-120°F)
- Insect and bird screen installed
- Black or brown painted finish or mill finish
- Made in U.S.A.

Note: Photograph is a representation of stocked models. Actual model may vary in appearance.

Standard Models

MFG CATALOG NUMBER	MFG MODEL NUMBER	DOMES COLOR	SPEED	CFM .03 SP	VOLTS	HP	RPM	ATTIC SIZE / SQ. FT.*	WT. (LBS)	LIST
08664202	PDV-305-1MB-GY-G	Mill	1	1000	120	1/12	1050	Average/1600	19	260
08664302	PDV-305-1MB-BR-G	Brown	1	1000	120	1/12	1050	Average/1600	19	
08664402	PDV-305-1MB-BLK-G	Black	1	1000	120	1/12	1050	Average/1600	19	

*@ 4:12 Pitch Roof

Gable Exhaust Fan



Damper requires 16 1/2" x 16 1/2" opening

WARNING: This product can expose you to chemicals including nickel which is known to the State of California to cause cancer, and chromium, which is known to the State of California to cause birth defects and/or reproductive harm. For more information go to www.P65Warnings.ca.gov.



Features

- 120V motor / 1-Phase
- Automatic adjustable thermostat (60°-120°F)
- Partially assembled (mounting tabs must be assembled)
- 14" blade diameter
- 4 mounting tabs on 16" centers
- Made in U.S.A.

Standard Models

MFG CATALOG NUMBER	MFG MODEL NUMBER	DESCRIPTION	CFM .03 SP	ATTIC SIZE/ SQ. FT.*	WT. (LBS)	LIST
08663702	GV-405-2B-G	Gable Mount Ventilator	1540	Average/2400	13	202
08665202	AGD-1416B-G	White Aluminum Damper for GV-405-2	----	----	3	117

*@ 4:12 Pitch Roof

Belt Drive Wholehouse Fans



WARNING: This product can expose you to chemicals including nickel which is known to the State of California to cause cancer, and chromium, which is known to the State of California to cause birth defects and/or reproductive harm. For more information go to www.P65Warnings.ca.gov.

Features

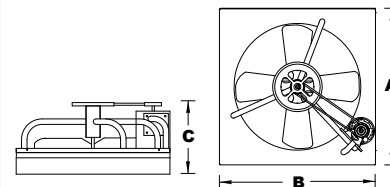
- 120V, 1-Phase, 2-Speed motors
- Shutters automatically open when fan is turned on and close tightly when fan is turned off
- Made in U.S.A.

NOTE: Belt Drive Fan with "No Joist Cut" Shutter

Standard Models

MFG CATALOG NUMBER	MFG MODEL NUMBER	SIZE	SPEED	MOTOR HP	CFM @ .1 IN. H2O PRESSURE DROP w/ SHUTTER	FAN SPEED RPM	FAN MOUNTING DIMENSIONS (IN)			EXHAUST SQ. FT. REQ'D	AMPS	WT. (LBS)	LIST
							A	B	C				
07936202	BD24-2-WHS	24"	2	1/3	4500/2700	612/410	28	29.5	14.5	7	5.7/4.8	40	1178
07936302	BD30-2-WHS	30"	2	1/3	7600/5800	520/350	34	35.5	14.5	9	6.9/5.5	50	1265
07936402	BD36-2-WHS	36"	2	1/3	9675/6400	395/265	40	41.5	14.5	12	6.3/3.1	64	1391

Fan Dimensions



Ceiling Shutters

MFG CATALOG NUMBER	MFG MODEL NUMBER	FIT HOLE SIZE (I.D.)	OUTSIDE SIZE (O.D.)	FAN SIZE	WT. (LBS)	LIST
07944802	CS-10-W	26X26	28X28	24"	8	209
07944602	CS-13-W	32X34	34X36	30"	10	218
07945302	CS-14-W	34X34	36X36	30"	10	229
07944702	CS-18-W	32X43	34X45	36"	11	247
07945202	CS-19-W	34X43	36X45	36"	11	268

"Joist out style" (for replacement only)

Control Options

MFG CATALOG NUMBER	MFG MODEL NUMBER	DESCRIPTION	WT. (LBS)	LIST
07927002	2-SW	2 Speed wall switch & plate	1	58
05000802	1A22-7	SP Close on rise (Attic Thermostat) (80°-130°F)	1	73

WARNING: This product can expose you to chemicals including nickel which is known to the State of California to cause cancer, and chromium, which is known to the State of California to cause birth defects and/or reproductive harm. For more information go to www.P65Warnings.ca.gov.

Loading Dock Lights - Shipped in 1-Carton

Light Head Features

- Chip resistant safety yellow & black powder coating finish for high visibility and durability
- 5' long 18/3 SJT, 120V cordset with NEMA 15-5 grounded plug
- On/Off switch & wire guard included on each light head
- 1-1/2" square, 11-gauge, steel tubing
- 3" x 5" x 3/16" mounting plate attached with (4) 3/8" bolts (not supplied)
- VA & DKLED models have vertical adjustment bracket allowing outer arm to adjust from 300° horizontally and 210° vertically
- All light heads will swivel 300°
- VA Models include an embedded electrical outlet for direct plug connection from the light head fixture and shipped fully-assembled
- DKLED units contain a die-cast aluminum light head with adjustable knobs, built-in on/off switch, and maintains an IP65 rating suitable for wet locations
- DKLED units use a 20° custom beam angle and 12 individual high-intensity LED emitters generating a neutral white color; with a CCT measuring 4,000K DKLED units provide a minimum life of 50,000 hours and offers a 5-year warranty, including CE & RoHS Certificates
- Designed for loading dock and work station environments
- ETL C/US Listed for indoor applications only, except QH models are semi-protected outdoor and DKLED models have IP65 rating suitable for wet location areas



DKL-40VA-A

Flexible elastomer arm moves when hit and then returns light to original position



DKL-25-FLX

LED 30-Watt



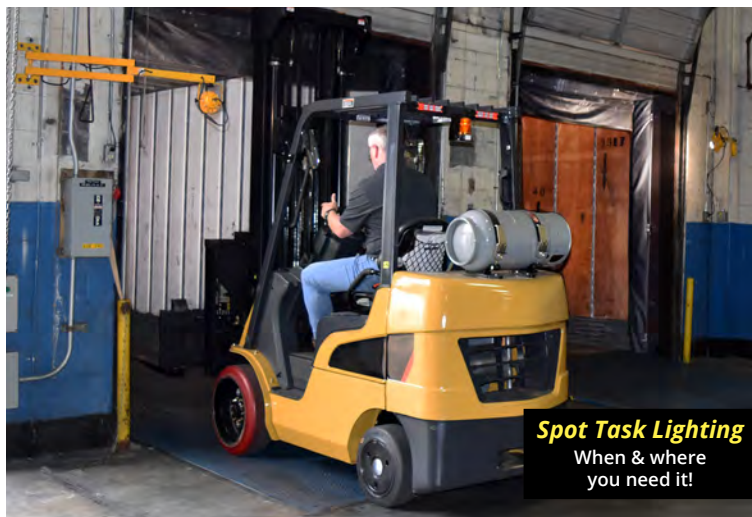
DKLED-40-30W



WARNING: This product can expose you to chemicals including nickel which is known to the State of California to cause cancer, and chromium, which is known to the State of California to cause birth defects and/or reproductive harm. For more information go to www.P65Warnings.ca.gov.

Standard Models (120V)

MFG CATALOG NUMBER	MFG MODEL NUMBER	ARM LENGTH	# OF ARMS	MAX WATTS	WT. (LBS)	LIST
NO BULB						
04466502	DKL-40VA-A	40"	2	Maximum 300	14	295
04466602	DKL-60VA-A	60"	2		17	355
03854001	DKL-25-FLX	25"	1		17	312
LED - 3,300 Lumens, 4,000K CCT, 50,000-hour Avg. Bulb Life						
04922802	DKLED-40-30W	40"	2	30	13	456
04922902	DKLED-42-30W	42"	3		14	480



Spot Task Lighting
When & where you need it!



DKLED-42-30W



Loading Dock Lights - Modular (shipped in multiple cartons)

Modular Lights



DKLED-30W-WP



DKL-INC



DKL-LED-30W-SP



DKL-LED37

Features

- 14" long, 18/3 conductor cord plugs into electrical junction box on arm
- On/Off switch & wire guard included with each light head
- Bulb included with all light heads except DKL-INC
- Imported to TPI specifications.
- DKL-LED-37 is compliant with ROHS 2 Directive (2011/65/EU), that of which includes the application exemptions outlined in Annex III of the directive.



WARNING: This product can expose you to chemicals including nickel which is known to the State of California to cause cancer, and chromium, which is known to the State of California to cause birth defects and/or reproductive harm. For more information go to www.P65Warnings.ca.gov.

Standard Models

MFG CATALOG NUMBER	MFG MODEL NUMBER	LIGHT HEAD TYPE	MAX WATTS	MAX LUMENS	AVE. BULB LIFE (HRS)	WT. (LBS)	LIST
04465602	DKL-INC	No Bulb Included	300	3,700	2,000	5	121
04881302	DKL-LED-37	LED	37	2,373	>30,000	5	483
04923002	DKLED-30W-WP	LED w/ Pin Connector Plug	30	3,300	50,000	7	344
04923102	DKLED-30W-SP	LED w/ Grounded Plug	30	3,300	50,000	7	344

Mounting Arms



DKL-40VA-ARM



60-LDA



24-LDA



The outer arm on 40VA & 60VA arms will swing 300° in horizontal plane & 210° in vertical plane

WARNING: This product can expose you to chemicals including nickel which is known to the State of California to cause cancer, and chromium, which is known to the State of California to cause birth defects and/or reproductive harm. For more information go to www.P65Warnings.ca.gov.

Features

- 1-1/2" square, 11 gauge, steel tubing
- 3" x 5" x 1/2" mounting plate attaches with (4) 1/2" bolts
- 5' long, 18/3 SJTW conductor cord and NEMA 5-15 grounded plug
- Made in U.S.A.

Standard Models

MFG CATALOG NUMBER	MFG MODEL NUMBER	ARM LENGTH	TOTAL # OF ARMS	WT. (LBS)	LIST
04465402	DKL-40VA-ARM	40"	2	18	184
04465502	DKL-60VA-ARM	60"	2	24	233
04465302	24-LDA	24"	1	11	144
04466102	40-LDA**	40"	3	18	247
04466202	60-LDA**	60"	3	24	287

**Indicates heavy duty dock arms (Horizontal swing only, no vertical movement)

Loading Dock Arm Fan



WARNING: This product can expose you to chemicals including nickel which is known to the State of California to cause cancer, and chromium, which is known to the State of California to cause birth defects and/or reproductive harm. For more information go to www.P65Warnings.ca.gov.

Features

- 18" high velocity circulator, with 3 speed, 1/8 HP, 115V, 1 phase permanently lubricated, totally enclosed, PSC motor
- Modular fan plugs into electrical outlet on arm
- Coated steel guards and aluminum blades
- Imported to TPI specifications

Standard Models

MFG CATALOG NUMBER	MFG MODEL NUMBER	CFM			VELOCITY PROFILE MAX. CFM	AMPS HIGH	WT. (LBS)	LIST
		HIGH	MED	LOW				
07971802	LDF-18-TE	1800	1500	1300	2900	2.2	20	293

Note: Must be used with LDA (Heavy Duty) mounting arms

Machine Tool Lights

Water Resistant Fluorescent or LED Tube Lights



23-TLP-24VDC

WARNING: This product can expose you to chemicals including nickel which is known to the State of California to cause cancer, and chromium, which is known to the State of California to cause birth defects and/or reproductive harm. For more information go to www.P65Warnings.ca.gov.



29-LED



21-LED

Features

- All tube lights come standard with a durable, lightweight, economical, shatter-resistant polycarbonate tube housing
- Stainless steel mounting brackets (2), fasteners and threaded conduit fitting included with all models
- LEDTLP Models are ETL C/US Listed for NEMA Type 13 applications - oil / water / coolant spray areas (not submersible) and dusty atmospheres
- LED Models operate at 120V and include an 8' long, 18/3 SJTOW cord with NEMA 5-15 grounded plug
- LED Models comply with part-15 of the FCC rule
- Model 21-LEDTLP-120-16 includes an aluminum enclosure with on/off power switch
- Model 21-LED generates 100-watts of an incandescent light output equivalent, but only consumes 16-watts of power; Model 29-LED generates 150-watts, using only 26-watts of power.
- 23-TLP-24VDC uses a fluorescent bulb and operates at low voltage of 24V DC, includes on board ballast and 2' long lead wires for direct connection; unit is NOT ETL Listed
- All units are made in the U.S.A.

Standard Models

MFG CATALOG NUMBER	MFG MODEL NUMBER	DESCRIPTION	WATTS	VOLTS	LUMENS	OVERALL LENGTH	TUBE MATERIAL	BALLAST INCLUDED	WT. (LBS)	LIST
04829302	23-TLP-24VDC	Fluorescent, w/wire leads	18	24VDC	1250	23"	Polycarbonate	Yes	6	602
04891802	21-LEDTLP-120-16	LED, on/off switch enclosure & cordset	16	120V	1200	21"	Polycarbonate	No	4	689
04891902	29-LEDTLP-120-26	LED w/cordset	26	120V	2800	29"	Polycarbonate	No	3	767

Accessories - Replacement Lamps

MFG CATALOG NUMBER	MFG MODEL NUMBER	DESCRIPTION	USED WITH	WT. (LBS)	LIST
3103300	TL-RB-18	Fluorescent Replacement Bulb, 18W, PL-L	23-TLP-24VDC	1	91

Commercial Duty Portable Utility Lights

CL 300 (Clamp on Model)



WARNING: This product can expose you to chemicals including nickel which is known to the State of California to cause cancer, and chromium, which is known to the State of California to cause birth defects and/or reproductive harm. For more information go to www.P65Warnings.ca.gov.

Features

- Ceramic socket will accept incandescent bulbs A-19, R-40 or PAR bulbs up to 300 Watt. Fixture will also accept infrared heat lamps up to 250 Watts
- 11-watt LED bulb included
- 8' long - 18/3 SPT cordset with NEMA 5-15 plug
- Imported to TPI specifications.

MFG CATALOG NUMBER	MFG MODEL NUMBER	BASE TYPE	DESCRIPTION	MAX. WATTS	VOLTS	MAX LUMENS	AVE. BULB LIFE HOURS	WT. (LBS)	LIST
02804900	CL-300	CLIP-ON	11-Watt, LED	300	120	800	25,000	3	109

CL-300 is shipped in ONE carton. LED bulb included.

Product Index Listing

MODEL	PAGE	MODEL	PAGE	MODEL	PAGE	MODEL	PAGE
1A22-7	41	CACU 24-PO	8	CE 24-DV	25	CESM-30	32
2-SW	41	CACU 24-W	8	CE 30-D	24	CESM-36	32
21-LEDTLP-120-16	44	CACU 24-WO	8	CE 30-DS	23	CESM-42	32
29-LEDTLP-120-26	44	CACU 30-P	8	CE 30-DV	25	CESM-48	32
23-TLP-24VDC	44	CACU 30-P-HD	8	CE-24B	26	CESM-60	32
24-LDA	43	CACU 30-PO	8	CE-24B-3	26	CF-12	20
24-LDF-TE	21	CACU 30-PO-HD	8	CE-30B	26	CF-18	20
40-LDA	43	CACU 30-W	8	CE-30B-3	26	CF-20	20
40-LDF-TE	21	CACU 30-WO	8	CE-36B	26	CL-300	44
60-LDA	43	CAS - 18	16	CE-36B-3	26	CPB 30-D	9
60-LDF-TE	21	CAS - 48	16	CE-42B	26	CPB 36-B	9
ACH 20	3	CBT-24B	30	CE-42-B-3	26	CPB 36-D	9
ACH 20-O	3	CBT-24B-3	31	CE-48B	26	CPB 42-B	9
ACH 24	3	CBT-30B	31	CE-48-B-3	26	CPB 48-B	9
ACH 24-EX1	5	CBT-30B-3	31	CEFP-12	34	CPBS 24-DHV	9
ACH 24-EX3	5	CBT-36B	31	CEFP-16	34	CPBS 30-D	9
ACH 24-O	3	CBT-36B-3	31	CEFP-18	34	CS-10-W	41
ACH 24-TE3	5	CBT-42B	31	CEFP-20	34	CS-13-W	41
ACH 30-TE3	5	CBT-42B-3	31	CEFP-24	34	CS-14-W	41
ACH 30	3	CBT-48B	31	CEFP-30	34	CS-18-W	41
ACH 30-EX1	5	CBT-48B-3	31	CEFP-36	34	CS-19-W	41
ACH 30-EX3	5	CD-18	35	CEFP-42	34	DKL-25-FLX	42
ACH 30-O	3	CD-24	35	CEFP-48	34	DKL-40VA-A	42
ACM-C	6	CD-30	35	CEFP-60	34	DKL-40VA-ARM	43
ACM-I	6	CD-36	35	CES 12-HD	32	DKL-60VA-A	42
ACM-P	6	CD-42	35	CES 16-HD	32	DKL-60VA-ARM	43
ACM-PM	6	CD-48	35	CES 18-HD	32	DKL-INC	21, 43
ACM-S	6	CD-54	35	CES 20-HD	32	DKLED-30W-WP	43
ACM-W	6	CD-60	35	CES 24-HD	32	DKLED-30W-SP	43
ACM-WK	6	CE 10-D	24	CES 30-HD	32	DKLED-40-30W	42
ACU 20-P	4	CE 10-DS	23	CES 36-HD	32	DKLED-42-30W	42
ACU 20-PO	4	CE 10-DV	25	CES 42-HD	32	DKL-LED-37	43
ACU 20-W	4	CE 12-D	24	CES 48-HD	32	DKL-QH	21, 43
ACU 20-WO	4	CE 12-DS	23	CES 54-HD	32	DMKP1	34
ACU 24-P	4	CE 12-DV	25	CES 60-HD	33	DMKP2	35
ACU 24-PO	4	CE 14-D	25	CES-10G	24, 25	DR36	24
ACU 24-W	4	CE 14-DS	23	CES-12G	24, 25	E-56CF	22
ACU 24-WO	4	CE 14-DV	25	CES-14G	24, 25	E-60CF	22
ACU 30-P	4	CE 16-D	24	CES-16G	24, 25	E-60CFC	22
ACU 30-PO	4	CE 16-DS	23	CES-18G	24, 25	EHB24-1	30
ACU 30-W	4	CE 16-DV	25	CES-20G	24, 25	EHB24-1-3	30
ACU 30-WO	4	CE 18-D	24	CES-24	26	EHB24-1/2	30
AGD-1416B-G	41	CE 18-DS	23	CES-24G	24, 25	EHB24-1/2-3	30
BD24-2-WHS	41	CE 18-DV	25	CES-30	26	EHB24-1/4	30
BD30-2-WHS	41	CE 20-D	24	CES-30G	24, 25	EHB24-1/4-3	30
BD36-2-WHS	41	CE 20-DS	23	CES-36	26	EHB24-3/4	30
CACU 20-P	8	CE 20-DV	25	CES-42	26	EHB24-3/4-3	30
CACU 20-W	8	CE 24-D	24	CES-48	26	EHB30-1	30
CACU 24-P	8	CE 24-DS	23	CESM-24	32	EHB30-1 1/2	30

MODEL	PAGE	MODEL	PAGE	MODEL	PAGE	MODEL	PAGE
EHB30-1 1/2-3	30	EHB60-1 1/2-3	30	EHD36-5-3	29	HV-1	15
EHB30-1-3	30	EHB60-1-3	30	EHD42-1-3	29	HV-2	15
EHB30-1/2	30	EHB60-2	30	EHD42-2	29	HV-3	15
EHB30-1/2-3	30	EHB60-2-3	30	EHD42-2-3	29	HV-4-18	15
EHB30-1/3	30	EHB60-3-3	30	EHD42-3-3	29	HV-4-24	15
EHB30-1/3-3	30	EHB60-5-3	30	EHD42-5-3	29	HV-4-30	15
EHB30-1/4	30	EHD12-1/4	29	EHD48-3-3	29	HV-5-18	15
EHB30-1/4-3	30	EHD12-1/4-3	29	EHD48-5-3	29	HV-5-24	15
EHB30-3/4	30	EHD16-1/4	29	EHD60-10-3	29	HV-5-30	15
EHB30-3/4-3	30	EHD16-1/4-3	29	EHD60-3-3	29	HV-6-18	15
EHB36-1	30	EHD18-1/2	29	EHD60-5-5	29	HV-6-24	15
EHB36-1 1/2	30	EHD18-1/2-3	29	EHD60-7 1/2-3	29	HV-6-30	15
EHB36-1 1/2-3	30	EHD18-1/3	29	EMF-12	33	HV-7-DC-1	15
EHB36-1-3	30	EHD18-1/3-3	29	EMF-16	33	HV-7-DC-3	15
EHB36-1/2	30	EHD20-1	29	EMF-20	33	HV-8	15
EHB36-1/2-3	30	EHD20-1-3	29	EMF-24	33	HV18-120V	15
EHB36-1/3	30	EHD20-1/2	29	EMF-30	33	HV18-208/240V	15
EHB36-1/3-3	30	EHD20-1/2-3	29	EMF-36	33	HV18-277V	15
EHB36-2	30	EHD20-1/4	29	EMF-42	33	HV18-480V	15
EHB36-2-3	30	EHD20-1/4-3	29	EMF-48	33	HV24-120V	15
EHB36-3/4	30	EHD24-1	29	EMF-60	3	HV24-208/240V	15
EHB36-3/4-3	30	EHD24-1-3	29	F-12-TE	18	HV24-277V	15
EHB42-1	30	EHD24-1/2	29	F-18-TE	18	HV24-480V	15
EHB42-1 1/2	30	EHD24-1/2-3	29	F-18H-TE	18	HV30-120V	15
EHB42-1 1/2-3	30	EHD24-1/3	29	F-24-TE	18	HV30-208/240V	15
EHB42-1-3	30	EHD24-1/3-3	29	F-24-TE-HV	18	HV30-277V	15
EHB42-1/2	30	EHD24-1/4	29	F-24H-TE	18	HV30-480V	15
EHB42-1/2-3	30	EHD24-1/4-3	29	FLS-18	34	HV18-480V-3	15
EHB42-1/3	30	EHD24-2	29	FLS-24	35	HV24-480V-3	15
EHB42-1/3-3	30	EHD24-2-3	29	FLS-30	35	HV30-480V-3	15
EHB42-2	30	EHD24-3-3	29	FLS-36	35	IBG-12	33
EHB42-2-3	30	EHD24-3/4	29	FLS-42	35	IBG-16	33
EHB42-3-3	30	EHD24-3/4-3	29	FLS-48	35	IBG-18	33
EHB42-3/4	30	EHD30-1 1/2	29	FLS-54	35	IBG-20	33
EHB42-3/4-3	30	EHD30-1 1/2-3	29	FLS-60	35	IBG-24	33
EHB48-1	30	EHD30-1-3	29	GV-405-2B-G	41	IBG-30	33
EHB48-1 1/2	30	EHD30-1/2	29	HDH 24	2	IBG-36	33
EHB48-1 1/2-3	30	EHD30-1/2-3	29	HDH 24-G	3	IBG-42	33
EHB48-1-3	30	EHD30-1/3	29	HDH 24-GJR	3	IBG-48	33
EHB48-1/2	30	EHD30-1/3-3	29	HDH 24-JR	2	IBG-60	33
EHB48-1/2-3	30	EHD30-2	29	HDH 30	2	IE24-1	28
EHB48-2	30	EHD30-2-3	29	HDH 30-G	3	IE24-1-3	28
EHB48-2-3	30	EHD30-3-3	29	HDH 30-GJR	3	IE24-1/2	28
EHB48-3-3	30	EHD30-3/4	29	HDH 30-JR	2	IE24-1/2-3	28
EHB48-3/4	30	EHD30-3/4-3	29	HDH 36	3	IE24-1/3	28
EHB48-3/4-3	30	EHD36-1	29	HDM-C	6	IE24-1/3-3	28
EHB48-5-3	30	EHD36-1-3	29	HDM-I	6	IE24-3/4	28
EHB60-1	30	EHD36-2-3	29	HDM-P	6	IE24-3/4-3	28
EHB60-1 1/2	30	EHD36-3-3	29	HDM-W	6	IE30-1	28

Product Index Listing

MODEL	PAGE	MODEL	PAGE	MODEL	PAGE	MODEL	PAGE
IE30-1-3	28	IED20-3/4-3	27	MCD48-5	16	PM-2.5	19
IE30-1/2	28	IED24-1	27	MCD48-7 1/2	16	PM-3	19
IE30-1/2-3	28	IED24-1-3	27	MCD60-10	16	QH-2	43
IE30-1/3	28	IED30-1	27	MCD60-15	16	RDS-18	35
IE30-1/3-3	28	IED30-1-3	27	MCD60-3	16	RDS-24	35
IE30-3/4	28	IED36-1 1/2	27	MCD60-5	16	RDS-30	35
IE30-3/4-3	28	IED36-1 1/2-3	27	MCD60-7 1/2	16	RDS-36	35
IE36-1	28	IED42-2-3	27	MK-1	32	RDS-42	35
IE36-1 1/2	28	IED48-3-3	27	MK-2	32	RDS-48	35
IE36-1 1/2-3	28	IHP 20-H-WD	5	MK-3	32	RDS-54	35
IE36-1-3	28	IHP 24-H	3	N-12	21	RDS-60	35
IE36-1/2	28	IHP 24-H-277	5	ODF-12	20	RE24-1	36
IE36-1/2-3	28	IHP 24-H-WD	5	ODF-16	20	RE24-1-3	36
IE36-1/3	28	IHP 30-H	3	OSF-16	20	RE24-1/2	36
IE36-1/3-3	28	IHP 30-H-277	5	PBX 30-D	10	RE24-1/2-3	36
IE36-2	28	IHP 30-H-WD	5	PBX 36-B	11	RE24-1/4	36
IE36-2-3	28	KBWC-110K	22	PB 36-B-3	11	RE24-1/4-3	36
IE36-3/4	28	KBWC-15SK	22	PB 36-B-HL	11	RE24-3/4	36
IE36-3/4-3	28	LDF-18-TE	21, 43	PBX 36-D	10	RE24-3/4-3	36
IE42-1	28	MB 24-DF	13	PBX 42-B	11	RE30-1	36
IE42-1 1/2	28	MB 24-DY	13	PB 42-B-3	11	RE30-1 1/2	36
IE42-1 1/2-3	28	MB 30-DF	13	PB 42-B-HL	11	RE30-1 1/2-3	36
IE42-1-3	28	MB 30-DY	13	PBX 42-D	10	RE30-1-3	36
IE42-2	28	MBM-W	13	PBX 48-B	11	RE30-1/2	36
IE42-2-3	28	MCD18-1	16, 17	PB 48-B-3	11	RE30-1/2-3	36
IE42-3-3	28	MCD18-1/3	16, 17	PB 48-B-HL	11	RE30-1/3	36
IE42-3/4	28	MCD18-1/4	16, 17	PB 48-D-OP	10	RE30-1/3-3	36
IE42-3/4-3	28	MCD24-1	16, 17	PBSX 30-D	10	RE30-3/4	36
IE48-1	28	MCD24-1 1/2	16, 17	PBSX 36-B	11	RE30-3/4-3	36
IE48-1 1/2	28	MCD24-1/2	16, 17	PBS 36-B-3	11	RE36-1	36
IE48-1 1/2-3	28	MCD24-1/3	16, 17	PBS 36-B-HL	11	RE36-1 1/2	36
IE48-1-3	28	MCD24-1/4	16, 17	PBSX 36-D	10	RE36-1 1/2-3	36
IE48-2	28	MCD24-3	16, 17	PBSX 42-B	11	RE36-1-3	36
IE48-2-3	28	MCD24-3/4	16, 17	PBS 42-B-3	11	RE36-1/2	36
IE48-3-3	28	MCD30-1	16, 17	PBS 42-B-HL	11	RE36-1/2-3	36
IE48-3/4	28	MCD30-1 1/2	16, 17	PBSX 42-D	10	RE36-1/3	36
IE48-3/4-3	28	MCD30-1/2	16, 17	PBSX 48-B	11	RE36-1/3-3	36
IE48-5-3	28	MCD30-1/3	16, 17	PBS 48-B-3	11	RE36-2	36
IE60-2	28	MCD30-2	16, 17	PBS 48-B-HL	11	RE36-2-3	36
IE60-2-3	28	MCD30-3	16, 17	PBS 48-D-OP	10	RE36-3/4	36
IE60-3-3	28	MCD30-3/4	16, 17	PCBT 36-B	13	RE36-3/4-3	36
IE60-5-3	28	MCD36-1	16, 17	PCBT 42-B	13	RE42-1	36
IED12-1/4	27	MCD36-1 1/2	16, 17	PCBT 48-B	13	RE42-1 1/2	36
IED12-1/4-3	27	MCD36-2	16, 17	PDV-305-1MB-BLK-G	41	RE42-1 1/2-3	36
IED16-1/3	27	MCD36-3	16, 17	PDV-305-1MB-BR-G	41	RE42-1-3	36
IED16-1/3-3	27	MCD36-5	16, 17	PDV-305-1MB-GY-G	41	RE42-1/2	36
IED18-1/2	27	MCD42-2	16	PM-1	19	RE42-1/2-3	36
IED18-1/2-3	27	MCD42-5	16	PM-1.5	19	RE42-2	36
IED20-3/4	27	MCD48-10	16	PM-2	19	RE42-2-3	36

MODEL	PAGE	MODEL	PAGE	MODEL	PAGE	MODEL	PAGE
RE42-3-3	36	SLS-30	35	TXB18-1/4-3	40	TXD12-3/4-3	38
RE42-3/4	36	SLS-36	35	TXB24-1	40	TXD18-1	38
RE42-3/4-3	36	SLS-42	35	TXB24-1 1/2	40	TXD18-1-3	38
RE48-1	36	SLS-48	35	TXB24-1 1/2-3	40	TXD18-1/2	38
RE48-1 1/2	36	SLS-54	35	TXB24-1-3	40	TXD18-1/2-3	38
RE48-1 1/2-3	36	SLS-60	35	TXB24-1/2	40	TXD18-1/3	38
RE48-1-3	36	SR-12	33	TXB24-1/2-3	40	TXD18-1/3-3	38
RE48-2	36	SR-16	33	TXB24-2	40	TXD18-1/4	38
RE48-2-3	36	SR-18	33	TXB24-2-3	40	TXD18-1/4-3	38
RE48-3-3	36	SR-20	33	TXB24-3-3	40	TXD24-1	38
RE48-3/4	36	SR-24	33	TXB24-3/4	40	TXD24-1-3	38
RE48-3/4-3	36	SW-1	16	TXB24-3/4-3	40	TXD24-1/2	38
RE48-5-3	36	SW-1 1/2	16	TXB27-1	40	TXD24-1/2-3	38
RE54-1	36	SW-1 1/2-3	16	TXB27-1 1/2	40	TXD24-1/3	38
RE54-1 1/2	36	SW-1-3	16	TXB27-1 1/2-3	40	TXD24-1/3-3	38
RE54-1 1/2-3	36	SW-1/2	16	TXB27-1-3	40	TXD24-1/4	38
RE54-1-3	36	SW-1/2-3	16	TXB27-2	40	TXD24-1/4-3	38
RE54-2	36	SW-1/4	16	TXB27-2-3	40	TXD24-2	38
RE54-2-3	36	SW-1/4-3	16	TXB27-3/4	40	TXD24-2-3	38
RE54-3-3	36	SW-2-3	16	TXB27-3/4-3	40	TXD24-3-3	38
RE54-5-3	36	SW-3-3	16	TXB30-1	40	TXD24-3/4	38
RE60-1	36	SW-5-3	16	TXB30-1 1/2	40	TXD24-3/4-3	38
RE60-1 1/2	36	SW-7 1/2-3	16	TXB30-1 1/2-3	40	TXD27-1	38
RE60-1 1/2-3	36	TL-RB-18	44	TXB30-1-3	40	TXD27-1-3	38
RE60-1-3	36	TXB12-1/2	40	TXB30-1/2	40	TXD27-1/2	38
RE60-2	36	TXB12-1/2-3	40	TXB30-1/2-3	40	TXD27-1/2-3	38
RE60-2-3	36	TXB12-1/3	40	TXB30-2	40	TXD27-2	38
RE60-3-3	36	TXB12-1/3-3	40	TXB30-2-3	40	TXD27-2-3	38
RE60-5-3	36	TXB12-1/4	40	TXB30-3-3	40	TXD30-1/2	38
RE60-7 1/2-3	36	TXB12-1/4-3	40	TXB30-5-3	40	TXD30-1/2-3	38
SBX 30-D	12	TXB12-3/4	40	TXB34-1 1/2	40	TXD30-2	38
SBX 36-B	12	TXB12-3/4-3	40	TXB34-1 1/2-3	40	TXD30-2-3	38
SB 36-B-3	12	TXB15-1/2	40	TXB34-2	40	TXD30-3-3	38
SB 36-B-HL	12	TXB15-1/2-3	40	TXB34-2-3	40	TXD30-3/4	38
SBX 36-D	12	TXB15-1/3	40	TXB34-3-3	40	TXD30-3/4-3	38
SBX 42-B	12	TXB15-1/3-3	40	TXB34-5-3	40	TXD34-1 1/2	38
SB 42-B-3	12	TXB15-1/4	40	TXB42-1 1/2	40	TXD34-1 1/2-3	38
SB 42-B-HL	12	TXB15-1/4-3	40	TXB42-1 1/2-3	40	TXD34-2	38
SBX 42-D	12	TXB15-3/4	40	TXB42-2	40	TXD34-2-3	38
SBX 48-B	12	TXB15-3/4-3	40	TXB42-2-3	40	TXD34-3-3	38
SB 48-B-3	12	TXB18-1	40	TXB42-3-3	40	TXD34-5-3	38
SB 48-B-HL	12	TXB18-1 1/2	40	TXB42-5-3	40	TXD36-2	38
SF-12	33	TXB18-1 1/2-3	40	TXB48-5-3	40	TXD36-2-3	38
SF-16	33	TXB18-1-3	40	TXB48-7 1/2-3	40	TXD36-3-3	38
SF-18	33	TXB18-1/2	40	TXD12-1/2	38	TXD42-1-3	38
SF-20	33	TXB18-1/2-3	40	TXD12-1/2-3	38	TXD42-2	38
SF-24	33	TXB18-1/3	40	TXD12-1/4	38	TXD42-2-3	38
SLS-18	35	TXB18-1/3-3	40	TXD12-1/4-3	38	TXD42-3-3	38
SLS-24	35	TXB18-1/4	40	TXD12-3/4	38	TXD42-5-3	38

Product Index Listing

MODEL	PAGE	MODEL	PAGE	MODEL	PAGE	MODEL	PAGE
TXD48-3-3	38	UEB48-1 1/2-3	37	UED42-2-3	36		
TXD48-5-3	38	UEB48-1-3	37	UED42-5-3	36		
TXG-12	38	UEB48-2	37	UED48-10-3	36		
TXG-15	38	UEB48-2-3	37	UED48-3-3	36		
TXG-18	38	UEB48-3-3	37	UED48-5-3	36		
TXG-24	38	UEB48-3/4	37	UED48-7 1/2-3	36		
TXG-27	38	UEB48-3/4-3	37	UED60-5-3	36		
TXG-30	38	UEB54-1	37	UED60-7 1/2-3	36		
TXG-34	38	UEB54-1 1/2	37	UHP 24-P	4		
TXG-36	38	UEB54-1 1/2-3	37	UHP 24-PJR	4		
TXG-42	38	UEB54-1-3	37	UHP 24-W	4		
TXG-48	38	UEB54-2	37	UHP 24-WJR	4		
U-12-TE	37	UEB54-2-3	37	UHP 30-IJR	4		
U-18-TE	19	UEB54-3-3	37	UHP 30-P	4		
U-18-TE-HD	19	UEB54-5-3	37	UHP 30-PJR	4		
U-24-TE	19	UEB60-1 1/2	37	UHP 30-W	4		
U-24-TE-HD	19	UEB60-1 1/2-3	37	UHP 30-WJR	4		
U-24-TE-HV	19	UEB60-2	37	WACM-P	6		
UEB24-1/2	37	UEB60-2-3	37	WACM-W	6		
UEB24-1/2-3	37	UEB60-3-3	37	WH-12	34		
UEB24-1/3	37	UEB60-5-3	37	WH-16	34		
UEB24-1/3-3	37	UED18-1	36	WH-18	34		
UEB24-3/4	37	UED18-1-3	36	WH-20	34		
UEB24-3/4-3	37	UED18-1/2	36	WH-24	34		
UEB30-1	37	UED18-1/2-3	36	WH-30	34		
UEB30-1-3	37	UED18-1/3	36	WH-36	34		
UEB30-1/2	37	UED18-1/3-3	36	WH-42	34		
UEB30-1/2-3	37	UED18-1/4	36	WH-48	34		
UEB30-3/4	37	UED18-1/4-3	36	WH-60	34		
UEB30-3/4-3	37	UED24-1	36				
UEB36-1	37	UED24-1-3	36				
UEB36-1 1/2	37	UED24-1/4	36				
UEB36-1 1/2-3	37	UED24-1/4-3	36				
UEB36-1-3	37	UED24-3-3	36				
UEB36-1/2	37	UED24-3/4	36				
UEB36-1/2-3	37	UED24-3/4-3	36				
UEB36-3/4	37	UED30-1 1/2	36				
UEB36-3/4-3	37	UED30-1 1/2-3	36				
UEB42-1	37	UED30-1-3	36				
UEB42-1 1/2	37	UED30-2	36				
UEB42-1 1/2-3	37	UED30-2-3	36				
UEB42-1-3	37	UED30-3-3	36				
UEB42-2	37	UED30-3/4	36				
UEB42-2-3	37	UED30-3/4-3	36				
UEB42-3-3	37	UED36-2	36				
UEB42-3/4	37	UED36-2-3	36				
UEB42-3/4-3	37	UED36-3-3	36				
UEB48-1	37	UED36-5-3	36				
UEB48-1 1/2	37	UED42-2	36				